

Parts Catalog

Commercial Vehicle

ape city 200

PIAGGIO VEHICLES PRIVATE LIMITED

Registered Office: Bund Garden Road ,Opp. Residency Club , Pune (India)

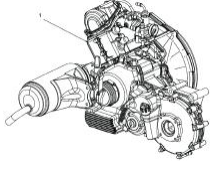
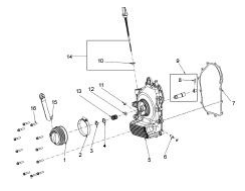
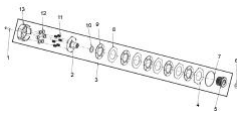
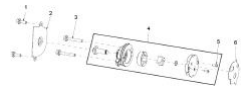
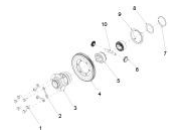
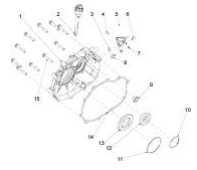
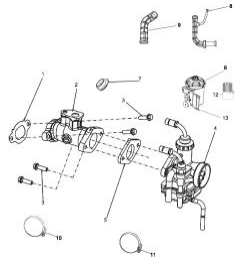
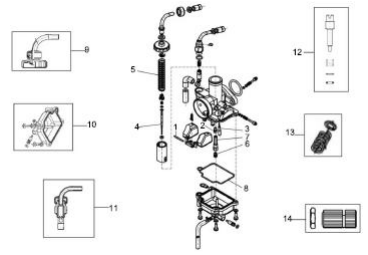
PLATES INDEX

Sr No.	Plate Name	Plate No.	Page No.
1	Eng.200 4S/3V BIII Air Ape Pax India	1	1-2
2	Clutch Cover Assembly	2	3-4
3	Clutch Group	3	5-6
4	Oil Pump Assembly	4	7-8
5	Complete Differential Gear	5	9-10
6	Differential Gear Cover With P.I.	6	11-12
7	Intake Fitting - Carburetor	7	13-14
8	Carburetor	8	15-16
9	Complete Crankcase	9	17-18
10	Cylinder Head With I.P.	10	19-20
11	Crankshaft Assembly	11	21-22
12	Aircooling Circuit Components	12	23-24
13	Timing Group	13	25-26
14	Cylinder- Piston Group	14	27-28
15	Electric Starting Group	15	29-30
16	Gear Group	16	31-32
17	Differential Gear Group	17	33-34
18	Engine Support	18	35-38
19	Fuel Tank/Filter/Fuel Pipes	19	39-40
20	Wind Shield/Glass/Beading	20	41-42
21	Main Frame/Driver Seat/Battery Bkt//Nose/Fr. Mud/Mud Flap	21	43-46
22	Inner Parts Of Cabin	22	47-48
23	Rear Suspension	23	49-52
24	Steering Column And Front Suspension	24	53-56
25	Handle Bar And Control	25	57-58
26	Brake - Tandem Master Cylinder ,Brake Pipe And Hand Brakes	26	59-62
27	Electrical Devices	27	63-66
28	Electrical Devices	28	67-70
29	Passanger Auto Rikshaw Body	29	71-76
30	Wiring Harness	30	77-78

PLATES INDEX

Sr No.	Plate Name	Plate No.	Page No.
31	Front Brake Assembly	31	79-80
32	Rear Brake Assembly	32	81-82
33	Cables	33	83-84
34	CNG Kit	34	85-86
35	Two Stage CNG Regulator	35	87-88
36	First Stage Reduction Unit	36	89-90
37	LPG Kit	37	91-92
38	Two Stage LPG Regulator	38	93-96

PICTORIAL PLATES INDEX

<p>Plate-1 Eng.200 4S/3V BIII Air Ape Pax India</p> <p>Page No. :1-2</p> <div style="text-align: center; margin-top: 20px;">  </div>	<p>Plate-2 Clutch Cover Assembly</p> <p>Page No. :3-4</p> <div style="text-align: center; margin-top: 20px;">  </div>
<p>Plate-3 Clutch Group</p> <p>Page No. :5-6</p> <div style="text-align: center; margin-top: 20px;">  </div>	<p>Plate-4 Oil Pump Assembly</p> <p>Page No. :7-8</p> <div style="text-align: center; margin-top: 20px;">  </div>
<p>Plate-5 Complete Differential Gear</p> <p>Page No. :9-10</p> <div style="text-align: center; margin-top: 20px;">  </div>	<p>Plate-6 Differential Gear Cover With P.I.</p> <p>Page No. :11-12</p> <div style="text-align: center; margin-top: 20px;">  </div>
<p>Plate-7 Intake Fitting - Carburetor</p> <p>Page No. :13-14</p> <div style="text-align: center; margin-top: 20px;">  </div>	<p>Plate-8 Carburetor</p> <p>Page No. :15-16</p> <div style="text-align: center; margin-top: 20px;">  </div>

PICTORIAL PLATES INDEX

Plate-9 Complete Crankcase

Page No. :17-18

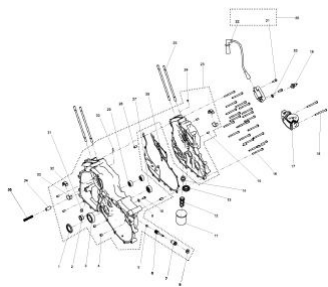


Plate-10 Cylinder Head With I.P.

Page No. :19-20

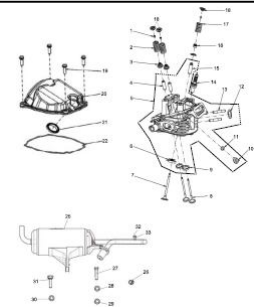


Plate-11 Crankshaft Assembly

Page No. :21-22

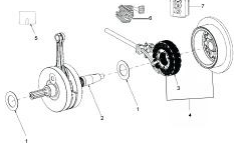


Plate-12 Aircooling Circuit Components

Page No. :23-24

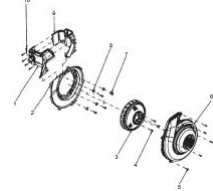


Plate-13 Timing Group

Page No. :25-26

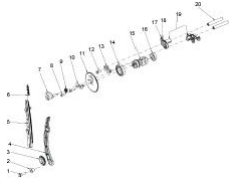


Plate-14 Cylinder- Piston Group

Page No. :27-28

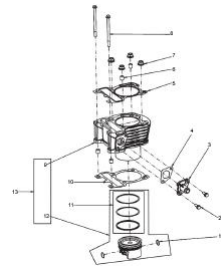


Plate-15 Electric Starting Group

Page No. :29-30

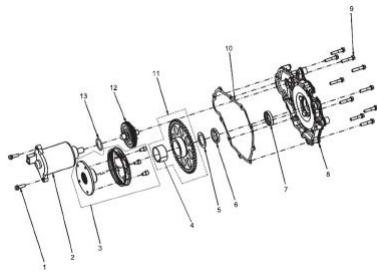
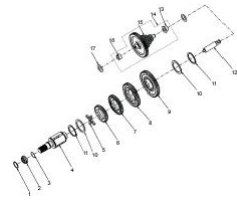


Plate-16 Gear Group

Page No. :31-32



PICTORIAL PLATES INDEX

Plate-17 **Differential Gear Group**

Page No. :33-34

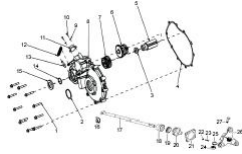


Plate-18 **Engine Support**

Page No. :35-38

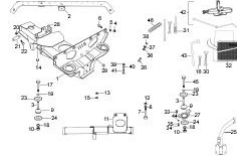


Plate-19 **Fuel Tank/Filter/Fuel Pipes**

Page No. :39-40

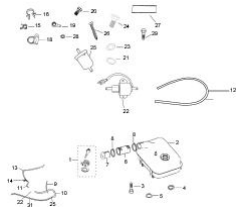


Plate-20 **Wind Shield/Glass/Beading**

Page No. :41-42

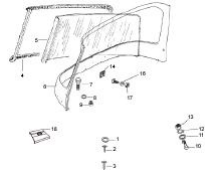


Plate-21 **Main Frame/Driver Seat/Battery Bkt./Nose/Fr. Mud/Mud Flap**

Page No. :43-46

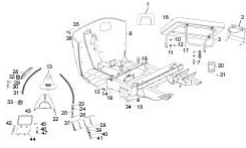


Plate-22 **Inner Parts Of Cabin**

Page No. :47-48

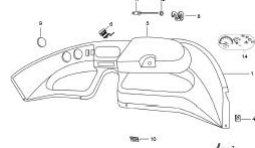


Plate-23 **Rear Suspension**

Page No. :49-52

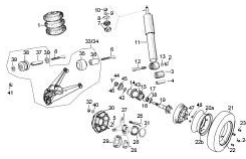
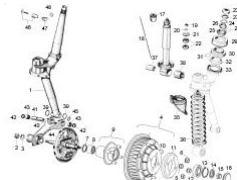


Plate-24 **Steering Column And Front Suspension**

Page No. :53-56



PICTORIAL PLATES INDEX

Plate-25 Handle Bar And Control

Page No. :57-58

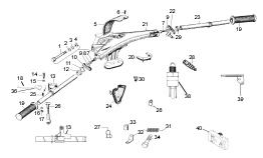


Plate-26 Brake - Tandem Master Cylinder ,Brake Pipe And Hand Brakes

Page No. :59-62

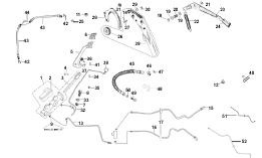


Plate-27 Electrical Devices

Page No. :63-66

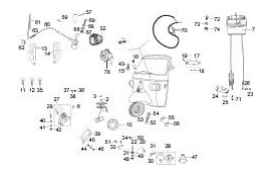


Plate-28 Electrical Devices

Page No. :67-70

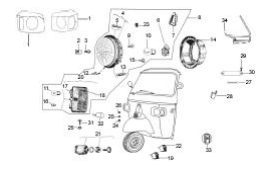


Plate-29 Passanger Auto Rikshaw Body

Page No. :71-76

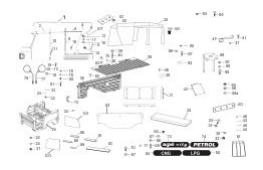


Plate-30 Wiring Harness

Page No. :77-78

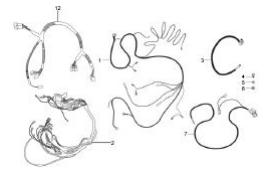


Plate-31 Front Brake Assembly

Page No. :79-80

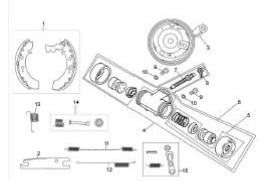
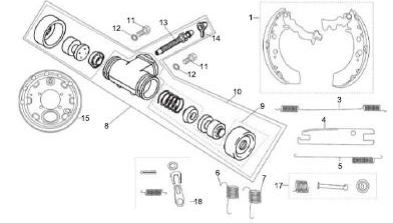


Plate-32 Rear Brake Assembly

Page No. :81-82



PICTORIAL PLATES INDEX

Plate-33 **Cables**

Page No. :83-84

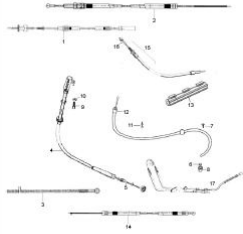


Plate-34 **CNG Kit**

Page No. :85-86

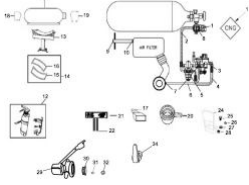


Plate-35 **Two Stage CNG Regulator**

Page No. :87-88

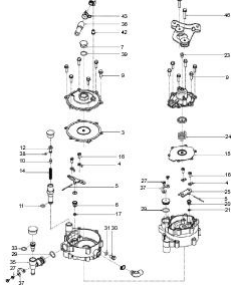


Plate-36 **First Stage Reduction Unit**

Page No. :89-90

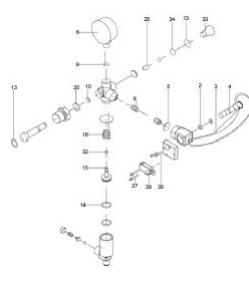


Plate-37 **LPG Kit**

Page No. :91-92

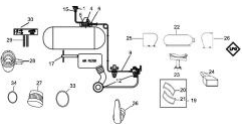


Plate-38 **Two Stage LPG Regulator**

Page No. :93-96

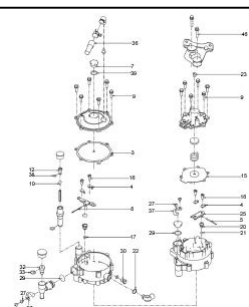


PLATE-1

Eng.200 4S/3V BIII Air Ape Pax India

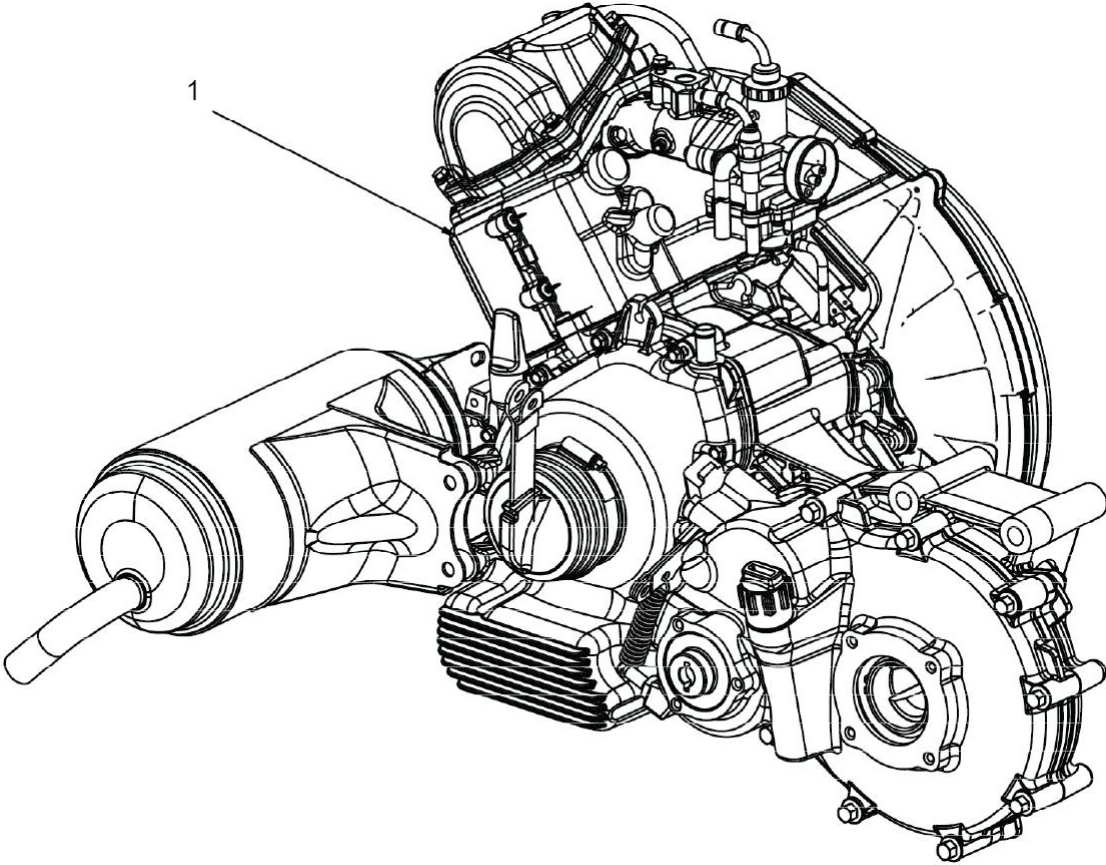


PLATE-1

Eng.200 4S/3V BIII Air Ape Pax India

Fig. No.	Part No.	Description	Qty	Remarks
1	CM168801	ENGINE ASSY - PETROL	1	
1	CM168802	ENGINE ASSY - LPG	1	
1	CM168803	ENGINE ASSY - CNG	1	

PLATE-2

Clutch Cover Assembly

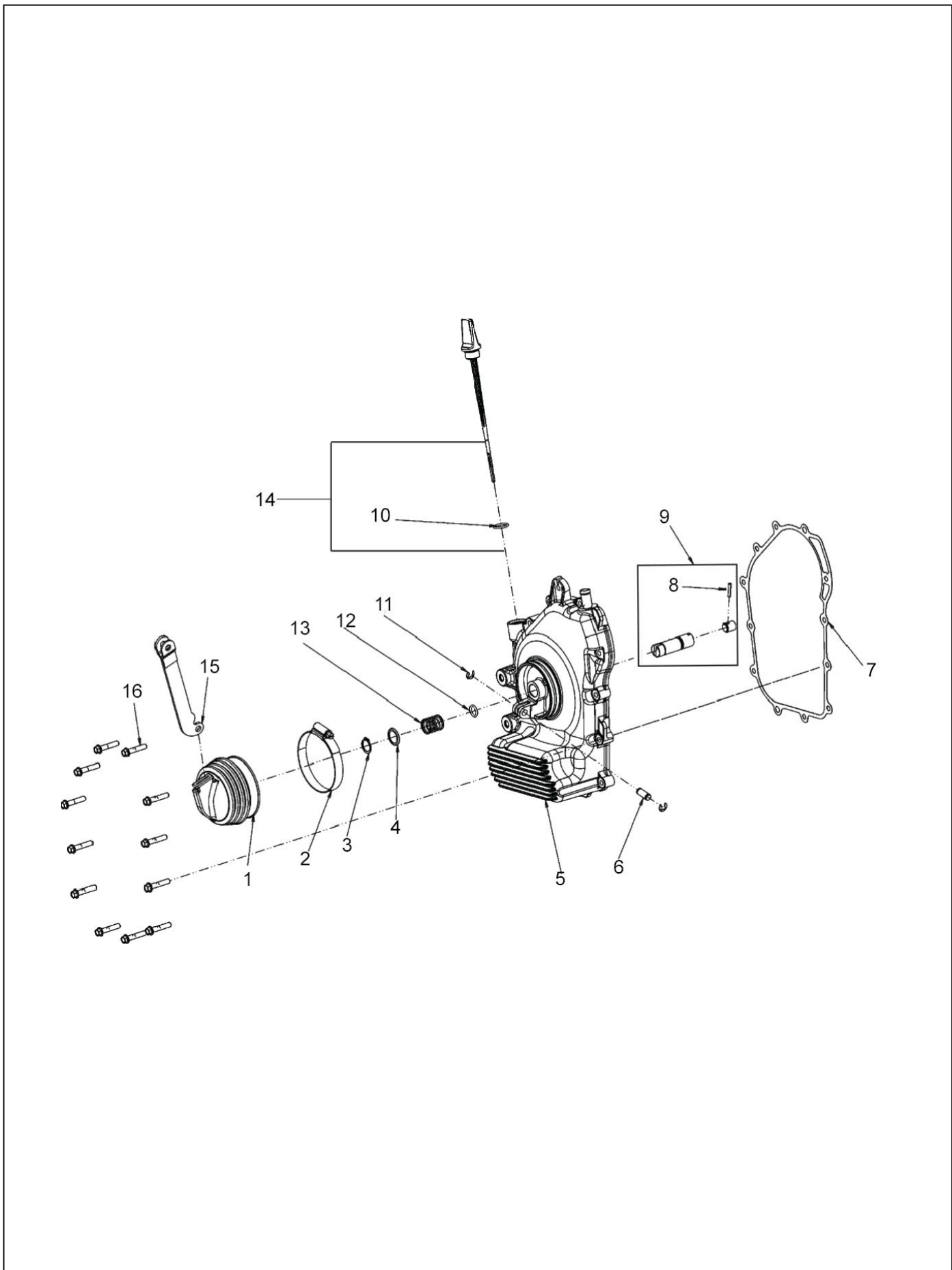


PLATE-2**Clutch Cover Assembly**

Fig. No.	Part No.	Description	Qty	Remarks
1	127012019	BELLOW CLUTCH ACTUATING	1	
2	120170018	HOSE CLIP - CLUTCH COVER BELOW	1	
3	842001600	CIRCLIP DIA.16(EXT)	1	
4	120164019	RETAINING PLATE	1	
5	B015863	CLUTCH COVER WITH P.I.	1	
6	127013013	PIN CLUTCH	1	
7	B018549	CLUTCH COVER GASKET	1	
8	822031942	SPRING PIN 3 X 19	1	
9	B018947	PLUNGER SHAFT ASSY	1	
10	479986	O-RING GASKET	1	
11	843000809	CIRCLIP DIA.8(EXT) TYPE C	2	
12	B019220	O- RING (PLUNGER SHAFT)	1	
13	127185012	SPRING - CLUTCH COVER	1	
14	B016472	OIL DIPSTICK ASSY	1	
15	127460010	LINK ASSLY - CLUTCH (IMPROVED)	1	
16	B018853	HEXAG. HEAD SCREW (M6X30)	12	

PLATE-3
Clutch Group

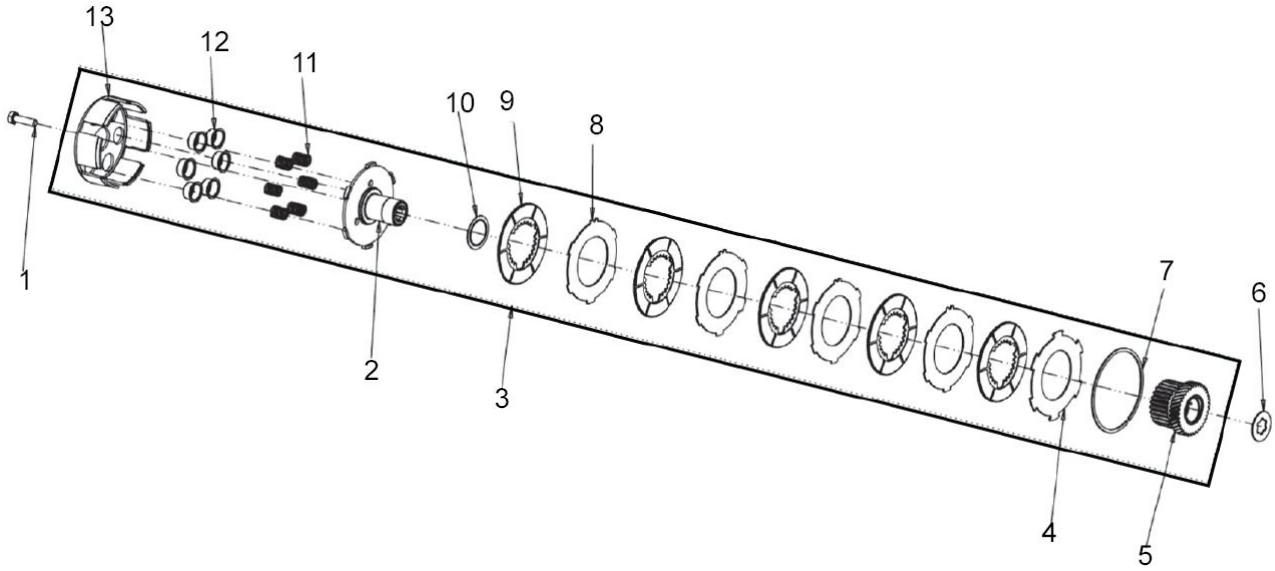


PLATE-3**Clutch Group**

Fig. No.	Part No.	Description	Qty	Remarks
1	B018678	SCREW M8X30	1	
2	B016033	CLUTCH HUB WITH P.I.	1	
3	B016103	COMPLETE CLUTCH ASSLY	1	
4	127693019	PRESSURE PLATE OUTER (VE)	1	
5	B015862	ENGINE GEAR	1	
6	B016160	SPACER WASHER	1	
7	127754019	CIRCLIP - CLUTCH BOX	1	
8	127692015	DRIVING PLATE THK. 2.0 MM	4	
9	127530011	DRIVEN PLATE ASLY	5	
10	127758015	SHIM	1	
11	B023890	CLUTCH SPRING	6	
12	127757011	CUP - CLUTCH SPRING	6	
13	127691011	CLUTCH BOX	1	
14	1U000022	CLUTCH PLATE SET (DRIVING, PRESSURE & DRIVEN = 10 PLATES)	1	

PLATE-4
Oil Pump Assembly

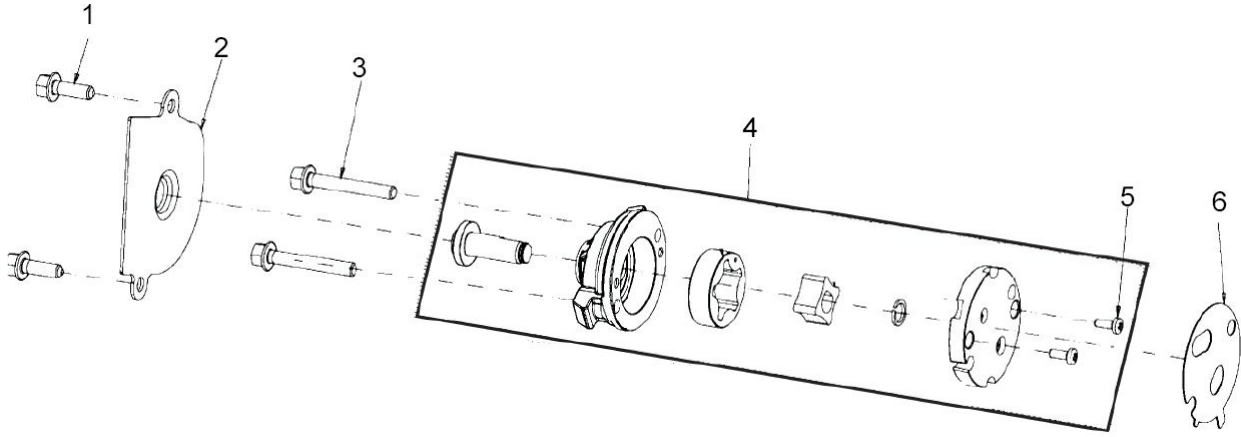


PLATE-4

Oil Pump Assembly

Fig. No.	Part No.	Description	Qty	Remarks
1	830061	FLANGED HEXAGONAL HEAD SCREW	2	
2	B018401	OIL BULKHEAD	1	
3	829593	FLANGED HEXAGONAL HEAD SCREW	2	
4	82948R	OIL PUMP ASSEMBLY	1	
5	436739	FLAT HEAD SCREW WITH CROSS SLOT (M3X12)	2	
6	B015943	CRANKCASE/ OIL PUMP GASKET	1	

PLATE-5
Complete Differential Gear

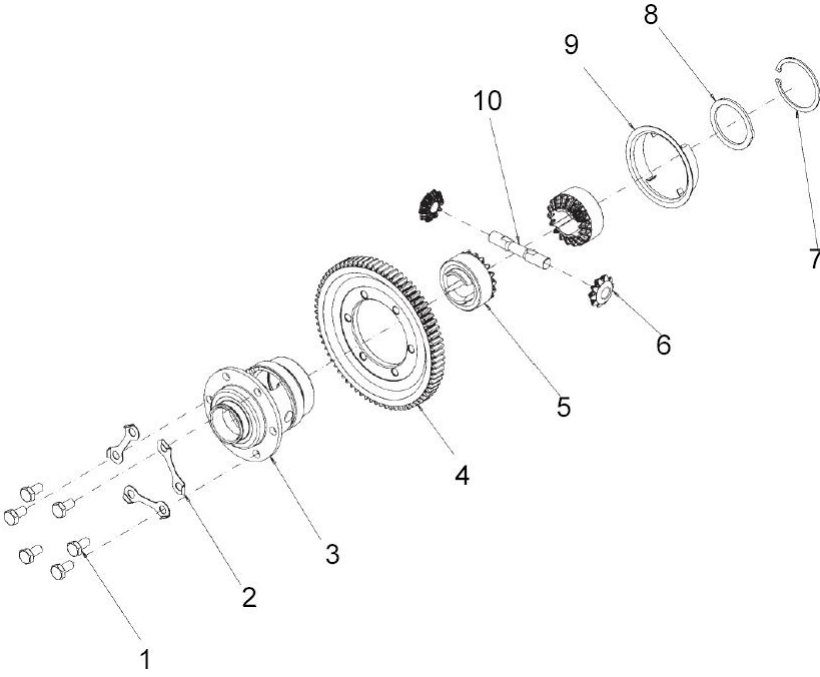


PLATE-5

Complete Differential Gear

Fig. No.	Part No.	Description	Qty	Remarks
1	B003163	HEX SCREW	6	
2	B003155	LOCK PLATE	3	
3	288730	DIFFERENTIAL CAGE	1	
4	B017135	DIFFERENTIAL CROWN - PETROL / LPG	1	
4	B015818	DIFFERENTIAL CROWN - CNG	1	
5	132136R	GEAR SUN	2	
6	165155R	DIFFERENTIAL GEAR	2	
7	132134	CIRCLIP	1	
8	220575	WASHER 65X3	1	
9	132244	STOPPER THK=1.0	1	
10	132129	PIN	1	

PLATE-6

Differential Gear Cover With P.I.

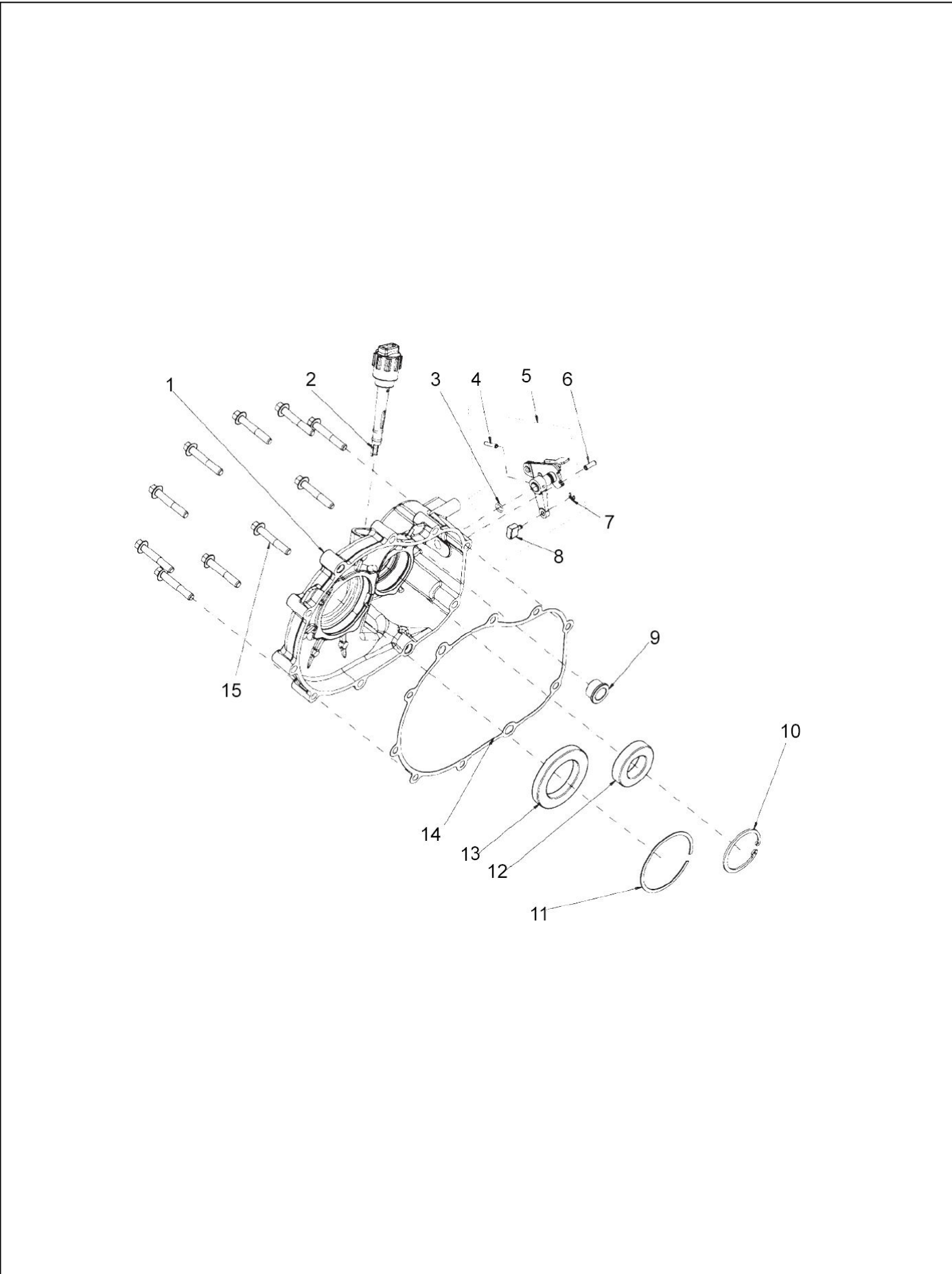


PLATE-6**Differential Gear Cover With P.I.**

Fig. No.	Part No.	Description	Qty	Remarks
1	B019214	DIFFERENTIAL COVER	1	
2	112898	OIL LEVEL ARM WITH PLUG	1	
3	632191	O - RING	1	
4	17702	SPRING PIN	1	
5	B017492	COMPLETE INVERTER LEVER SECTOR	1	
6	822051647	SPRING PIN 5X16	1	
7	843000500	CIRCLIP DIA.5 (EXT) TYPE C	1	
8	B017493	SLIDER - PETROL / LPG	1	
8	B018673	SLIDER - CNG	1	
9	120302013	BUSH	1	
10	841005506	CIRCLIP DIA. 55 (INT)	1	
11	111353	CIRCLIP	1	
12	880305509R	DEEP GROOVE BALL BEARING 30X55X13	1	
13	7066	BALL BRG TATA 16010	1	
14	B015875	DIFFERENTIAL COVER GASKET	1	
15	B016621	SCREW M8X50	12	

PLATE-7

Intake Fitting - Carburetor

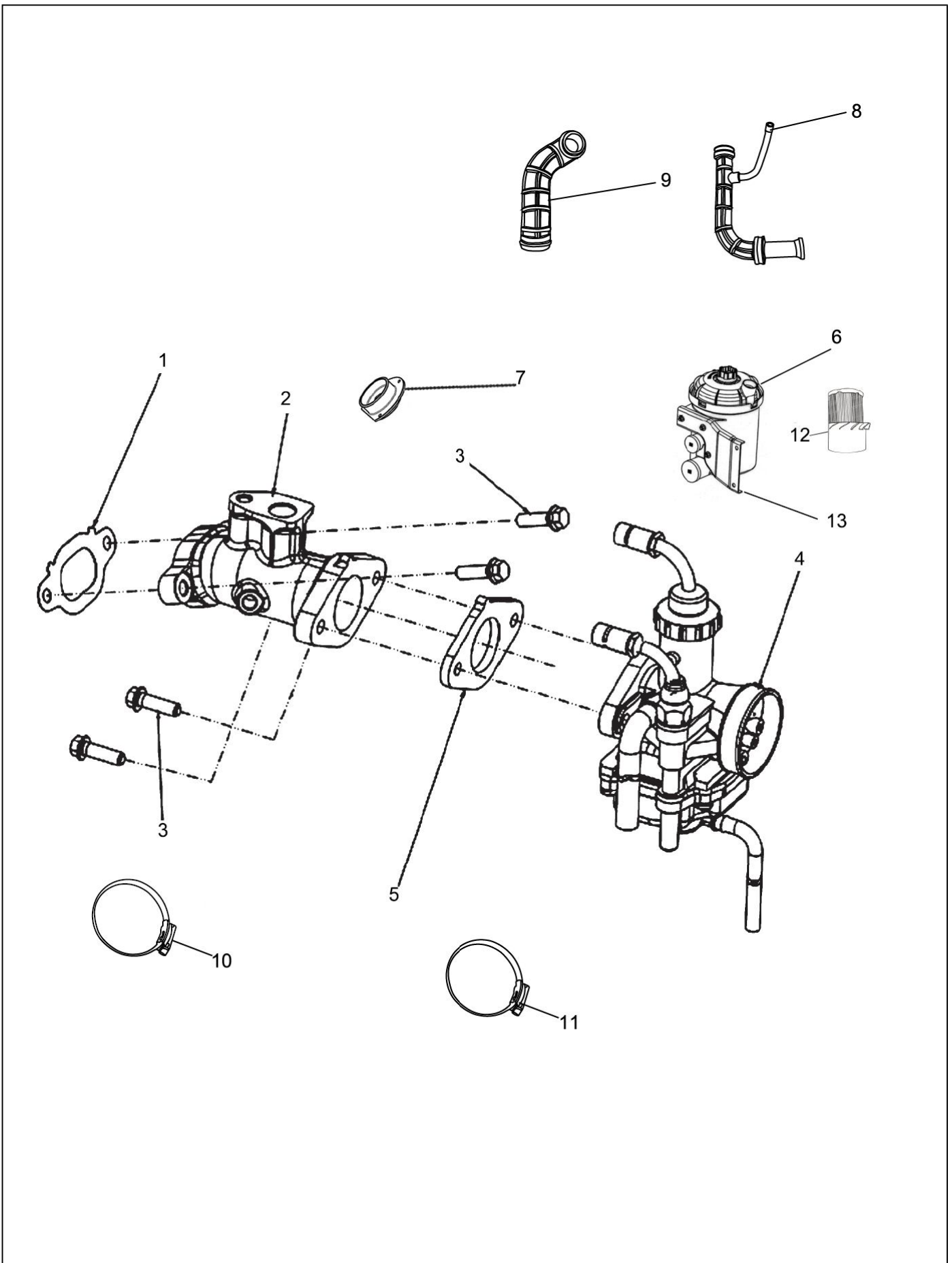


PLATE-7

Intake Fitting - Carburetor

Fig. No.	Part No.	Description	Qty	Remarks
1	B018442	INTAKE FITTING GASKET	1	
2	B018775	INTAKE FITTING	1	
3	18639	SCREW M6X20	4	
4	CM166104	CARBURETOR UVD 22 PETROL	1	
4	CM166102	CARBURETOR UVD 22-LPG	1	
4	CM166103	CARBURETOR UVD 22-CNG	1	
5	B016016	INTAKE FITTING GASKET WITH O-RING	1	
6	B003605	AIR FILTER ASSEMBLY W/O MTG BKT	1	
7	B024936	RESTRICTOR AIR FILTER INLET	1	
7	B024937	RESTRICTOR AIR FILTER INLET - PETROL	1	
8	B018072	CARB./AIR BOX COUPLING (PETROL)	1	
8	B017443	CARB./AIR BOX COUPLING (CNG/LPG)	1	
9	B017480	AIR BOX SNORKEL	1	
10	604756	HOSE CLIP	1	
11	604553	WORM CLIP	1	
12	932279	AIR FILTER ELEMENT	1	
13	B008924	AIR FILTER MTG. BKT. (NI)	1	

PLATE-8
Carburetor

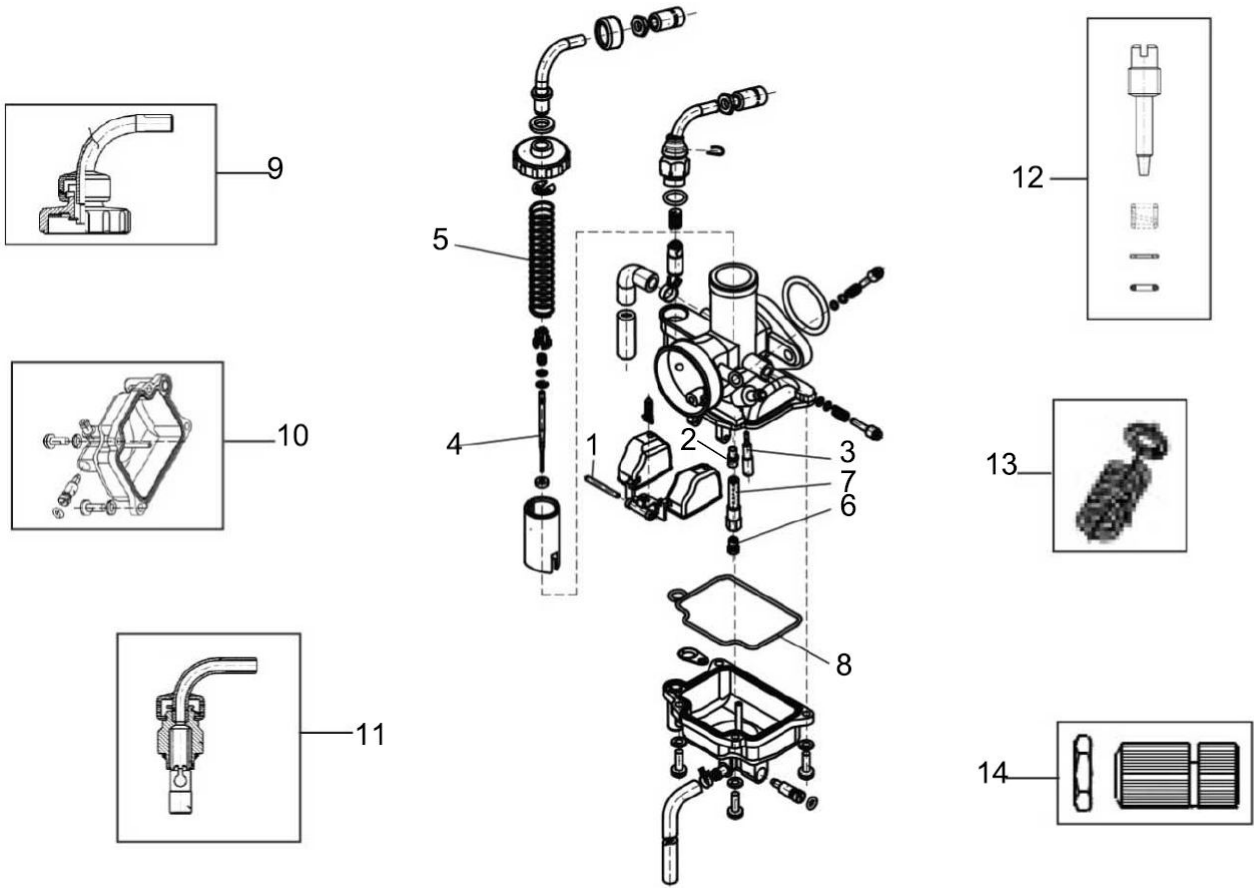


PLATE-8**Carburetor**

Fig. No.	Part No.	Description	Qty	Remarks
1	B016823	FLOAT PIN	1	
2	B019344	NEEDLE JET (PETROL/LPG)	1	
2	B017541	NEEDLE JET (CNG)	1	
3	CM167802	PILOT JET (CNG/LPG)	1	
3	CM167803	PILOT JET (PETROL)	1	
4	B019342	JET NEEDLE (PETROL)	1	
4	B019343	JET NEEDLE (CNG)	1	
5	B016829	SPRING (PV)	1	
6	CM167704	MAIN JET (CNG)	1	
6	CM167706	MAIN JET (PETROL)	1	
6	CM167708	MAIN JET (LPG)	1	
7	CM167901	JET HOLDER (PETROL)	1	
7	CM167902	JET HOLDER (CNG/LPG)	1	
8	B016834	O-RING (FCB)	1	
9	B016825	MIXING CAP ASSY KIT	1	
10	B016822	FLOAT CHAMBER BODY ASSY KIT	1	
11	1A000542	STARTER KIT	1	
12	B016826	AIR SCREW KIT	1	
13	B016828	IDLE ADJUSTER KIT	1	
14	B016869	CABLE ADJUSTER KIT	1	

PLATE-9

Complete Crankcase

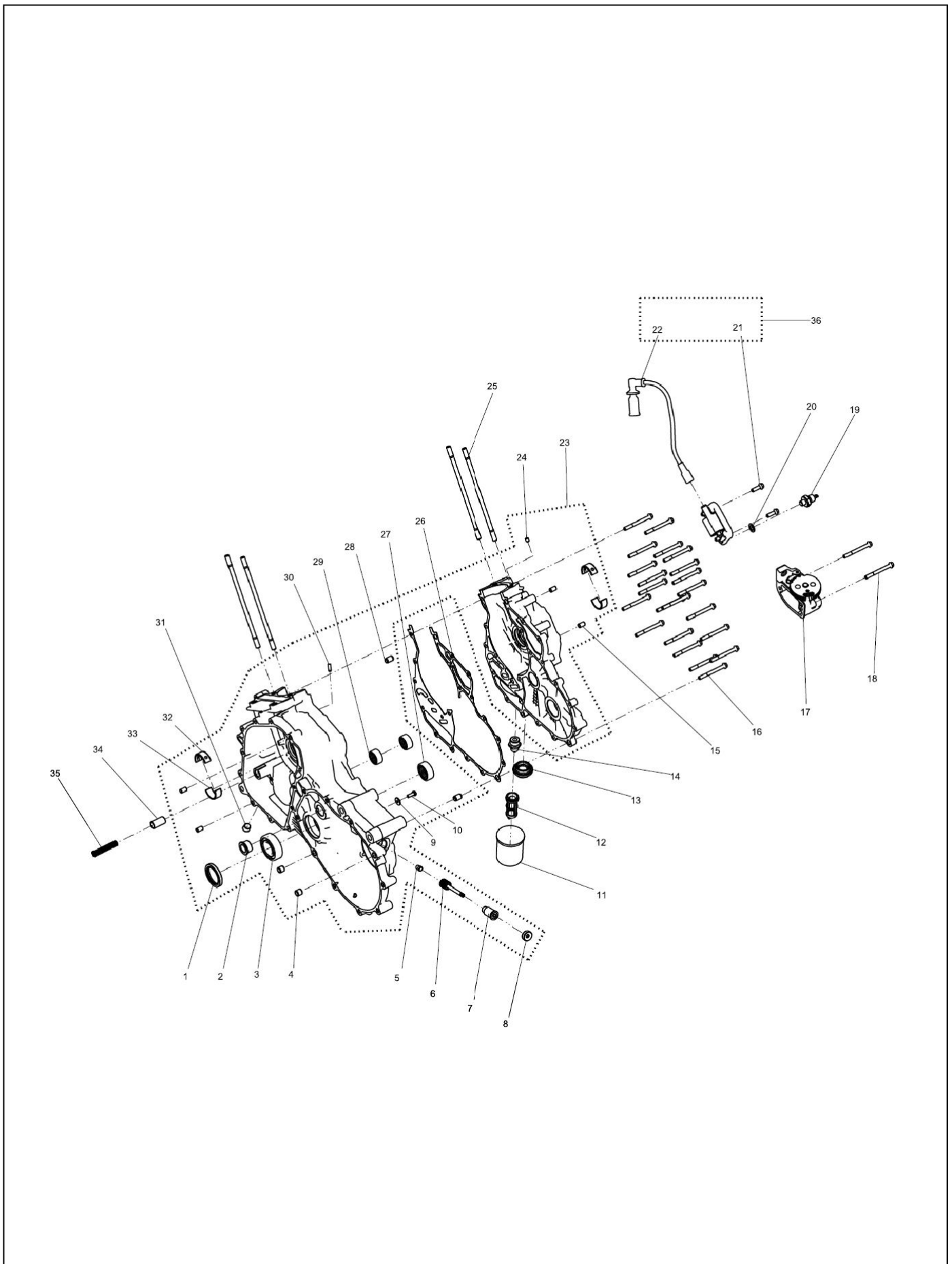


PLATE-9**Complete Crankcase**

Fig. No.	Part No.	Description	Qty	Remarks
1	B016166	SEAL RING 35X47X6	1	
2	120302013	BUSH	1	
3	880255211R	DEEP GROOVE BALL BEARING 25X52X15	1	
4	B015591	REFERENCE DOWEL	2	
5	165121014	PIN	1	
6	117404	SPEEDOMETER GEAR	1	
7	117401	BUSH	1	
8	117402	OIL SEAL	1	
9	B017178	WASHER	1	
10	B018848	SCREW	1	
11	82635R	COMPLETE OIL FILTER	1	
12	83065R	INTAKE OIL FILTER COMPLETE	1	
13	B015598	OIL FILTER PLUG	1	
14	B016856	OIL FILTER SCREW	1	
15	277916	DOWEL (Ø7,5, H=12)	4	
16	432142	HEXAGONAL RANGE HEAD SCREW (M6X35)	22	
17	127640012	COMPLETE GEAR SHIFTER HSG ASSLY	1	
18	819064530	SOCKET HEAD CAP SCREW M6X45	2	
19	641541	MIN.PRESSURE OIL SWITCH N.C.	1	
20	AP9150472	WASHER	1	
21	414837	SCREW M6X20	2	
22	642537	PROTECTION CAP	1	
23	B018598	COMPLETE CRANKCASE	1	
24	B019246	DOWEL	1	
25	B014755	STUD SCREW	4	
26	B015941	HALF-CRANKCASE GASKET	1	
27	120212012	NEEDLE BUSH	1	
28	B015592	REFERENCE DOWEL (D.9,5 H=15)	2	
29	884222808	NEEDLE BUSH 22X28X12	2	
30	484034	SIZING NOZZLE	1	
31	411311	TAPER THREAD PLUG	1	
32	B015872	CRANKSHAFT STUB UPPER HALF BEARING	2	
33	B015873	CRANKSHAFT STUB LOWER HALF BEARING	2	
34	829661	OIL PRES.VALVE	1	
35	485655	SPRING FOR OIL PRESSURE VALVE	1	
36	680181	H.T.COIL COMPLETE	1	
37	1A001283	OIL FILTER PROTECTION BRACKET (N.I.)	1	

PLATE-10

Cylinder Head With I.P.

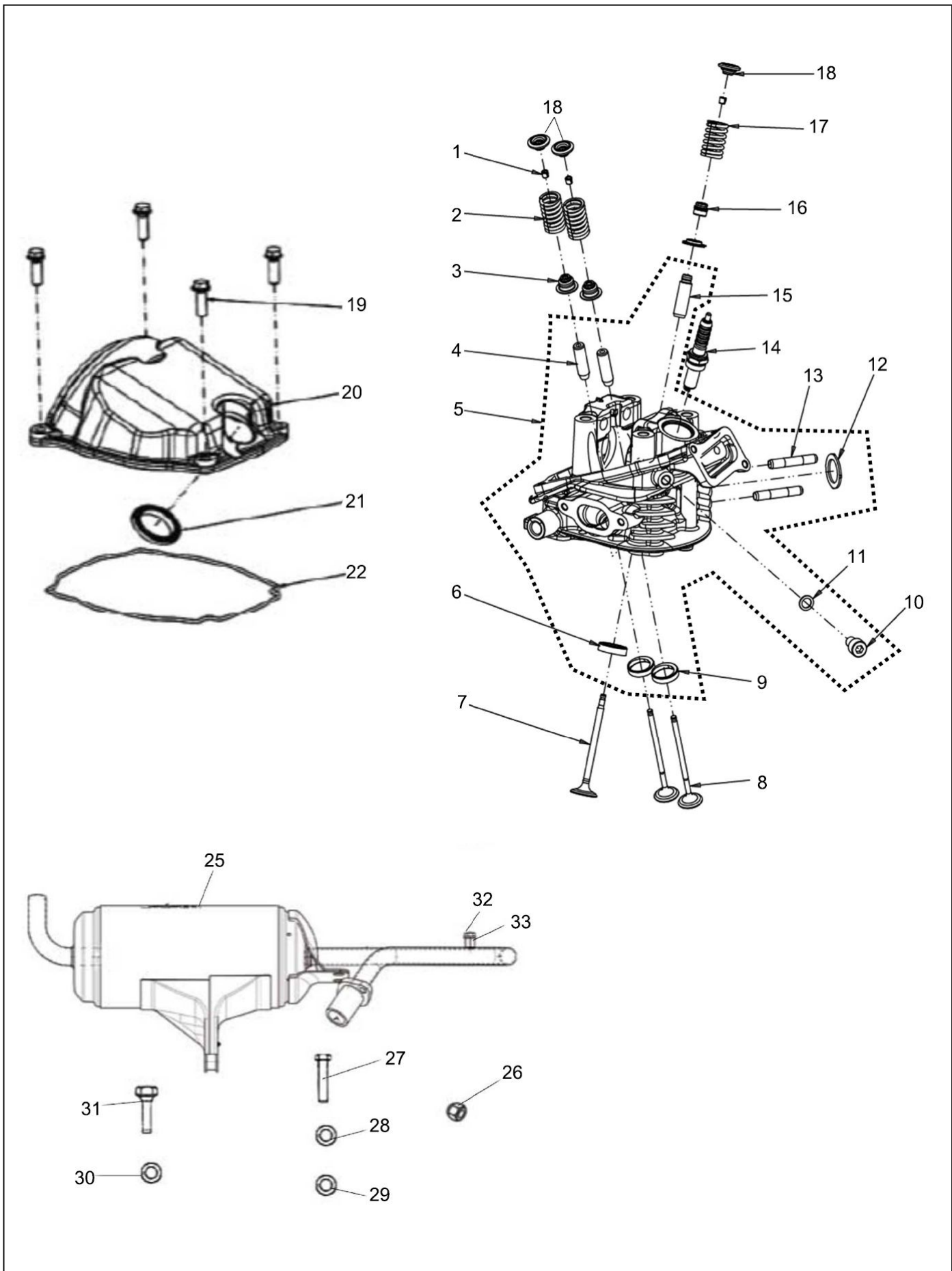


PLATE-10

Cylinder Head With I.P.

Fig. No.	Part No.	Description	Qty	Remarks
1	B015288	HALF-CONE COLLET	3	
2	B014706	VALVE SPRING (INTAKE)	2	
3	83053R	VALVE SEAL RING	2	
4	B014680	INTAKE VALVE GUIDE	2	
5	B018309	CYLINDER HEAD ASSY	1	
6	B017336	EXHAUST VALVE SEAT	1	
7	B017438	EXHAUST VALVE Ø22	1	
8	B014684	INTAKE VALVE Ø20	2	
9	B017230	INTAKE VALVE SEAT	2	
10	269755	SOCKET HEAD SCREW (M8X12)	1	
11	485703	WASHER	1	
12	434716	CYLINDER HEAD/MUFFLER GASKET	1	
13	B016368	SPECIAL STUD	2	
14	643367	SPARK PLUG	1	
15	B014681	EXHAUST VALVE GUIDE	1	
16	83054R	VALVE SEAL RING	1	
17	B014705	VALVE SPRING (EXHAUST)	1	
18	B017456	UPPER CUP	3	
19	018639	SCREW M6X20	4	
20	B019350	HEAD COVER	1	
21	B014732	SPARK PLUG HOLE GASKET	1	
22	B018533	CYLINDER HEAD COVER GASKET	1	
23	1U000020	VALVE SET (2 INLET & 1 OUTLET)	1	
24	1U000021	VALVE GUIDE SET	1	
25	B017921	MUFFLER ASSY-PETROL\LPG	1	
25	B019285	MUFFLER ASSY-CNG	1	
26	436947	FLANGED NUT M7X1 H=8	2	
27	30074	HEX HEAD BOLT M8 X 40 CL 8.8	2	
28	16408	SPRING WASHER M8	2	
29	3056	PLAIN WASHER	2	
30	16406	SPRING WASHER	2	
31	31089	HEX HEAD SCREW M6X18 CL 8.8	2	
32	433122	SCREW M10X6	1	
33	016195	WASHER	1	

PLATE-11
Crankshaft Assembly

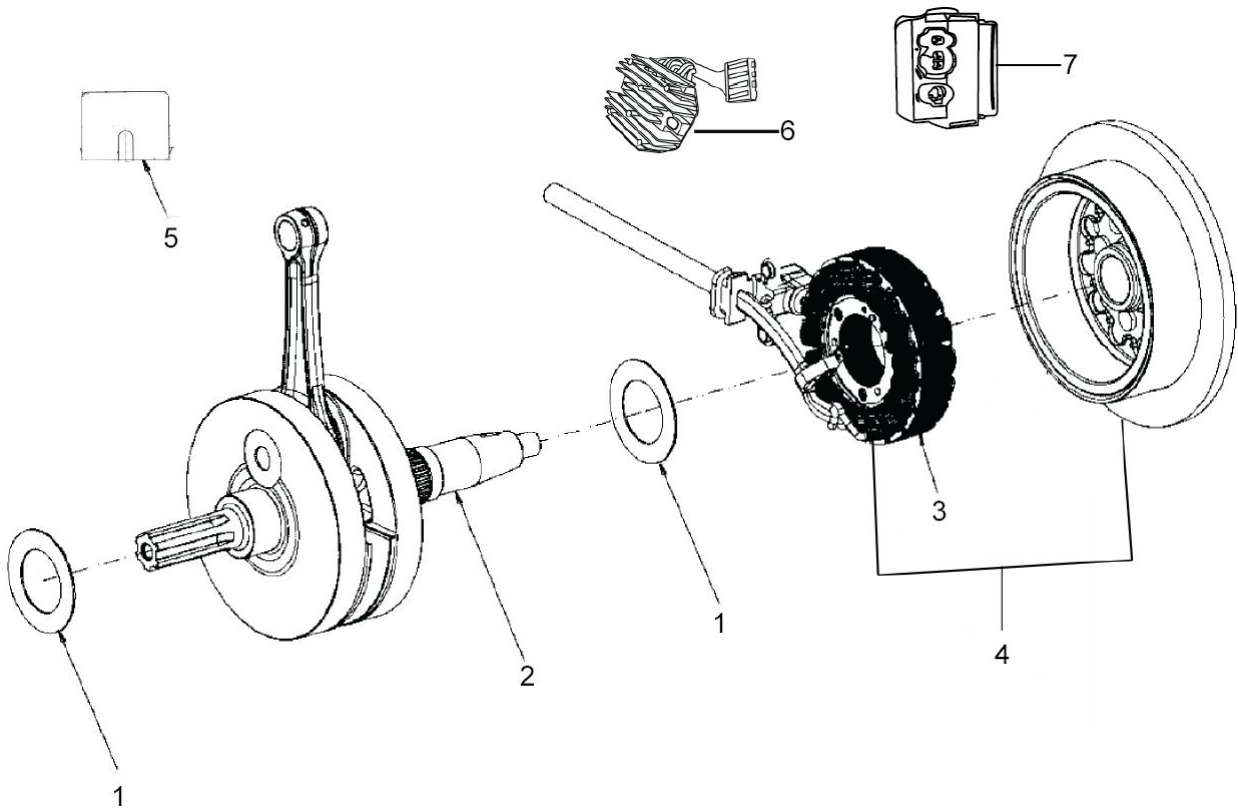


PLATE-11

Crankshaft Assembly

Fig. No.	Part No.	Description	Qty	Remarks
1	B016144	WASHER	2	
2	1A001108R	CRANKSHAFT ASSEMBLY	1	
3	680075	STATOR ASSLY	1	
4	58295R	COMPLETE A.C.GENERATOR	1	
5	B024056	COVER CDI	1	
6	B024965	VOLTAGE REGULATOR	1	
7	680165	CONTROL DEVICE IGNITION (CDI) CNG	1	
7	643140	CONTROL DEVICE IGNITION (CDI) PETROL	1	
7	680164	CONTROL DEVICE IGNITION (CDI) LPG	1	

PLATE-12

Aircooling Circuit Components

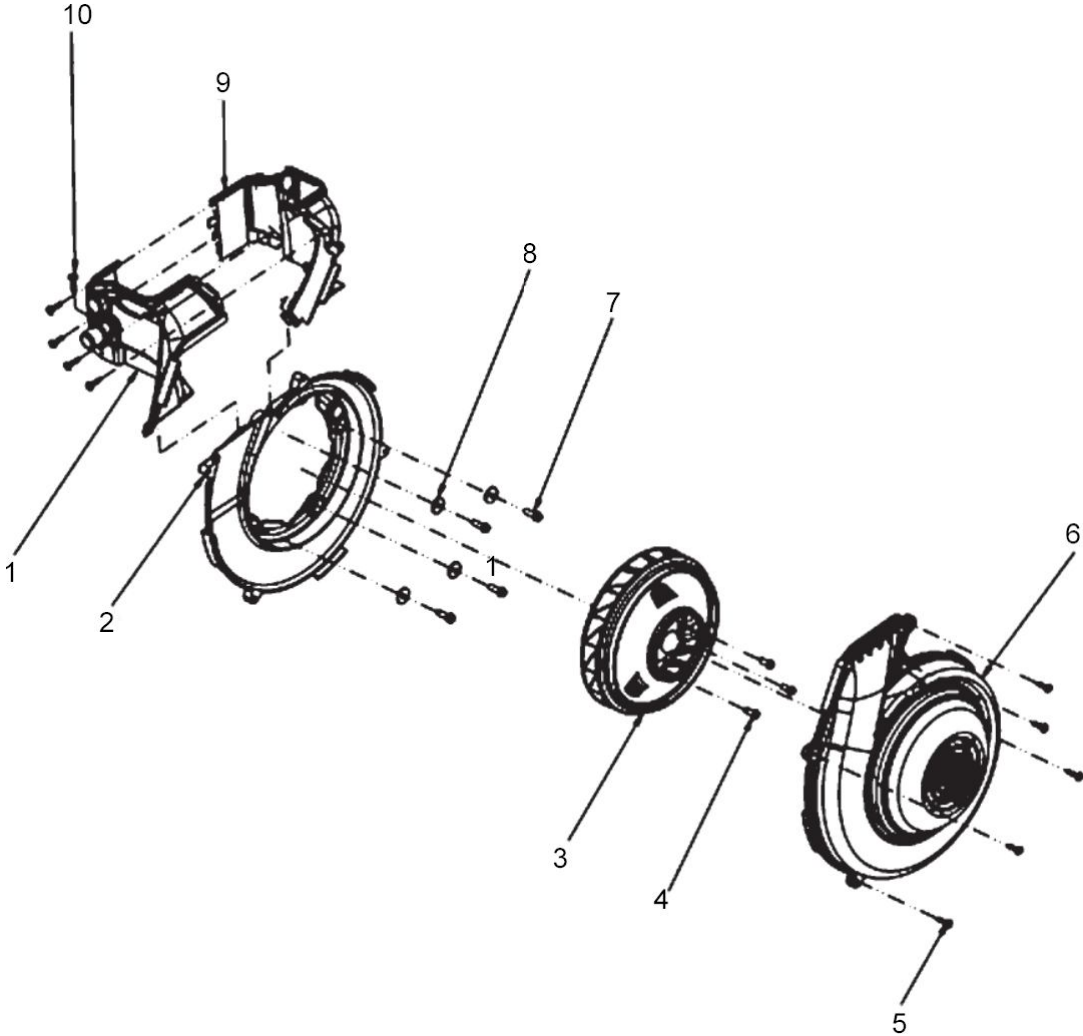


PLATE-12**Aircooling Circuit Components**

Fig. No.	Part No.	Description	Qty	Remarks
1	B018023	COMPLETE SHROUD INTAKE SIDE	1	
2	B015931	FAN COVER SUPPORT	1	
3	1A000831	ASSY FAN	1	
4	B017225	FLANGED HEX HEAD SCREW M6X20 CL10	3	
5	1A000024	SELF TAPPING SCREW (3X20)	9	
6	B017377	FAN COVER	1	
7	414837	SCREW M6X20	4	
8	B016192	WASHER 6.2X20X2	4	
9	B018025	SHROUD EXHAUST SIDE	1	
10	B016620	SCREW WITH CYLINDRICAL HEAD M5X21	1	

PLATE-13
Timing Group

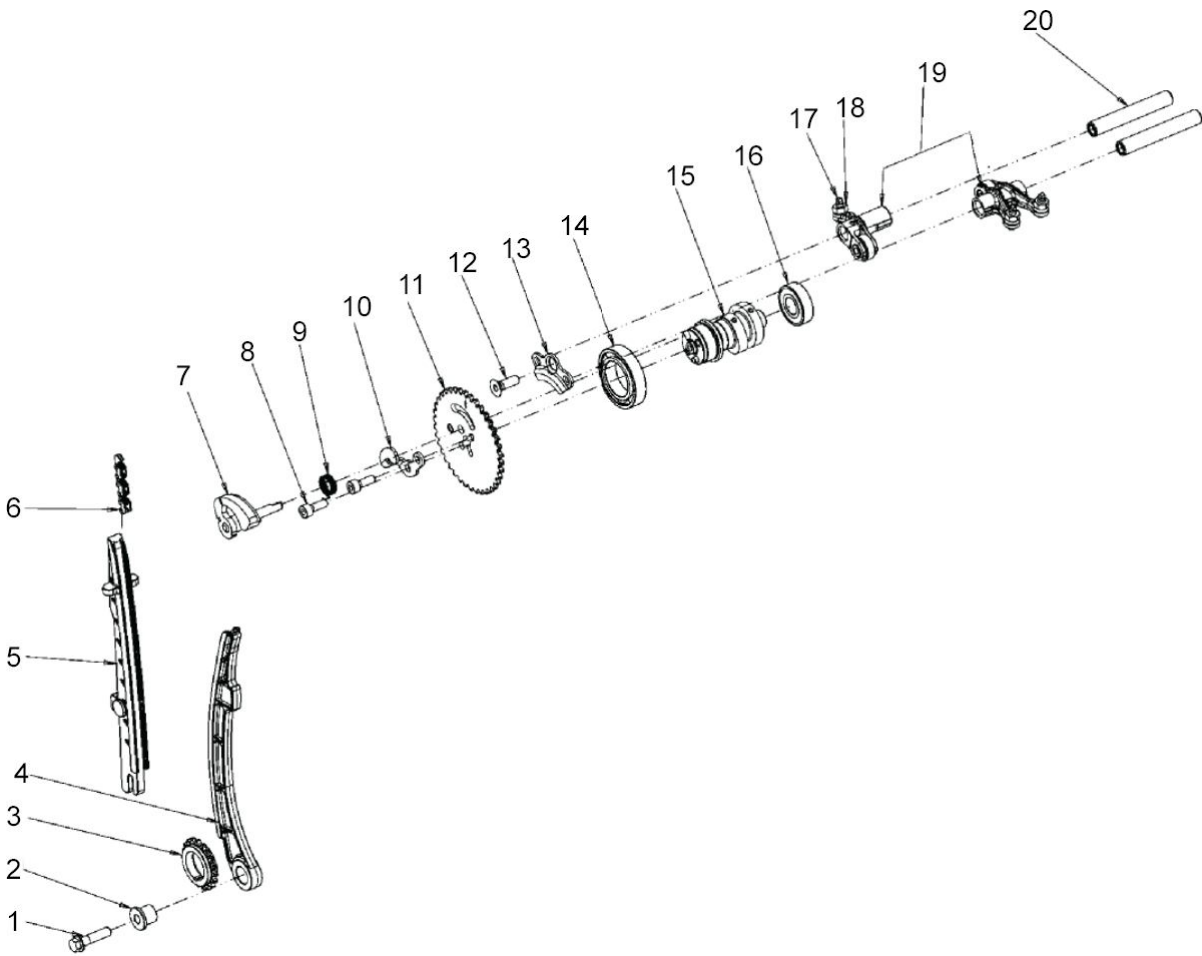


PLATE-13

Timing Group

Fig. No.	Part No.	Description	Qty	Remarks
1	414837	SCREW M6X20	1	
2	485868	SPACER FOR CHAIN TIGHTNING ROD	1	
3	B015017	TIMING PINION	1	
4	B014996	CHAIN TIGHTENING ROD	1	
5	B014997	FIXED PAD	1	
6	1A001114R	TIMING CHAIN	1	
7	B014234	CENTRIFUGAL MASS WITH I.P.	1	
8	B018718	EXAG. SOCKET CYLIND.HEAD SCREW M5X14	2	
9	B015483	DECOMPRESSION SPRING	1	
10	B015043	CENTRIFUGAL MASS CONTAINMENT SHEET	1	
11	B015019	TIMING CROWN	1	
12	B018946	COUNTERSUNK SCREW M6X18	1	
13	B014760	CAMSHAFT CONTAINMENT SHEET-STEEL	1	
14	83041R	DEEP GROOVE BALL BEARING	1	
15	B017746	CAMSHAFT WITH I.P.	1	
16	83040R	DEEP GROOVE BALL BEARING	1	
17	B017323	VALVE ADJUSTMENT SCREW	3	
18	B017431	ROCKER ARM NUT	3	
19	83062R	ROCKER ARM GROUP	1	
20	B017113	ROCKER ARM SHAFT	2	

PLATE-14
Cylinder- Piston Group

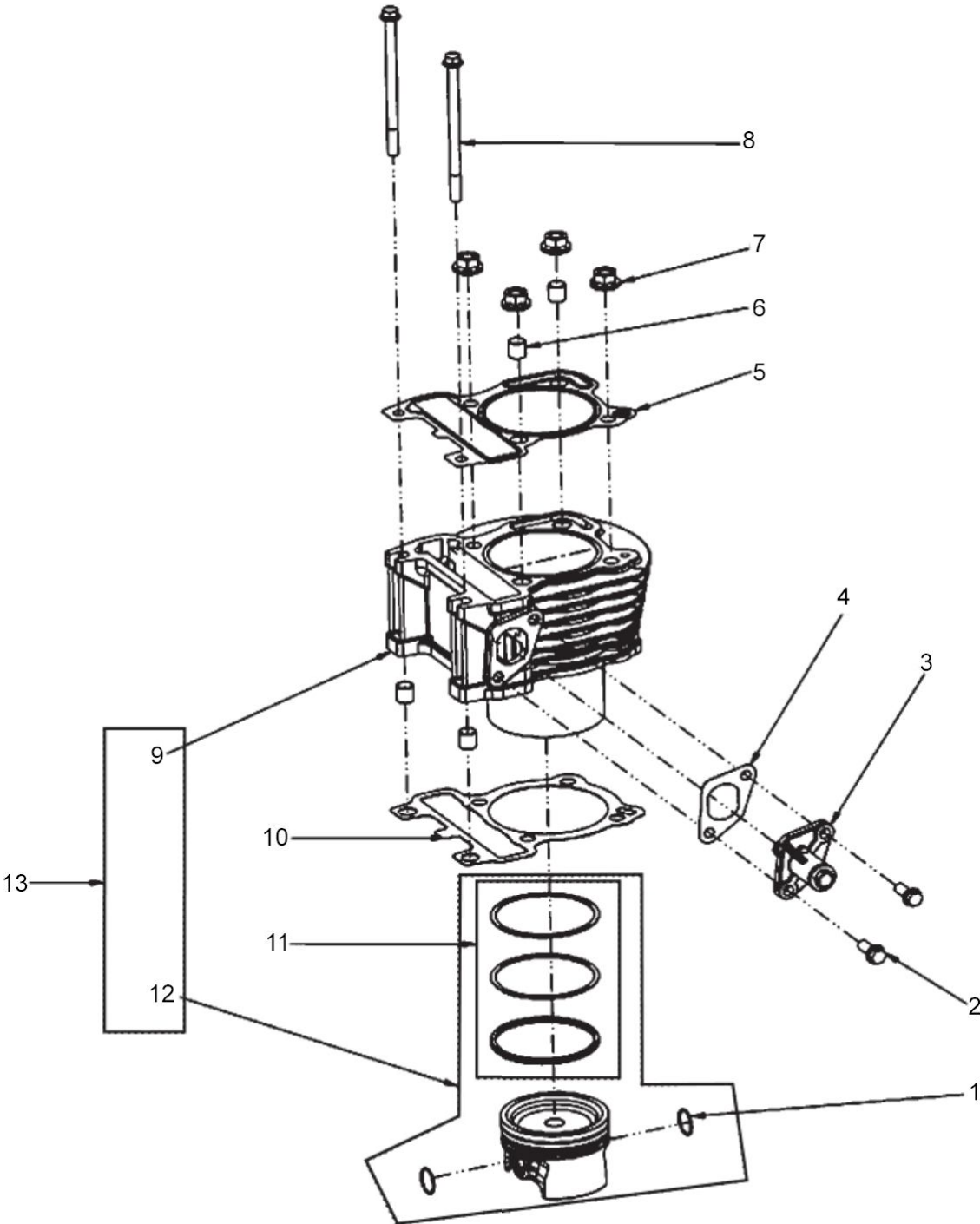


PLATE-14

Cylinder- Piston Group

Fig. No.	Part No.	Description	Qty	Remarks
1	963486	CIRCLIP FOR PISTON WRIST	2	
2	B016604	FLANGED HEX. HEAD SCREW M6X16 CL10	2	
3	82650R	CHAIN TIGHTENING DEVICE	1	
4	847928	CHAIN SUPPORT GASKET	1	
5	B014555	HEAD CYLINDER GASKET	1	
6	435571	REFERENCE DOWEL	4	
7	889505	FLANGED NUT	4	
8	B018854	SCREW M6X90 T.E. FLANGE	2	
9	B019317	CYLINDER	1	
10A	CM166201	CRANKCASE/ CYLINDER GASKET 0.4 MM	1	
10B	CM166202	CRANKCASE/ CYLINDER GASKET 0.6 MM	1	
10C	CM166203	CRANKCASE/ CYLINDER GASKET 0.8 MM	1	
11	1U000023	RING SET	1	
12	1U000024	PISTON ASSLY	1	
13	1U000025	BARREL PISTON KIT	1	

PLATE-15
Electric Starting Group

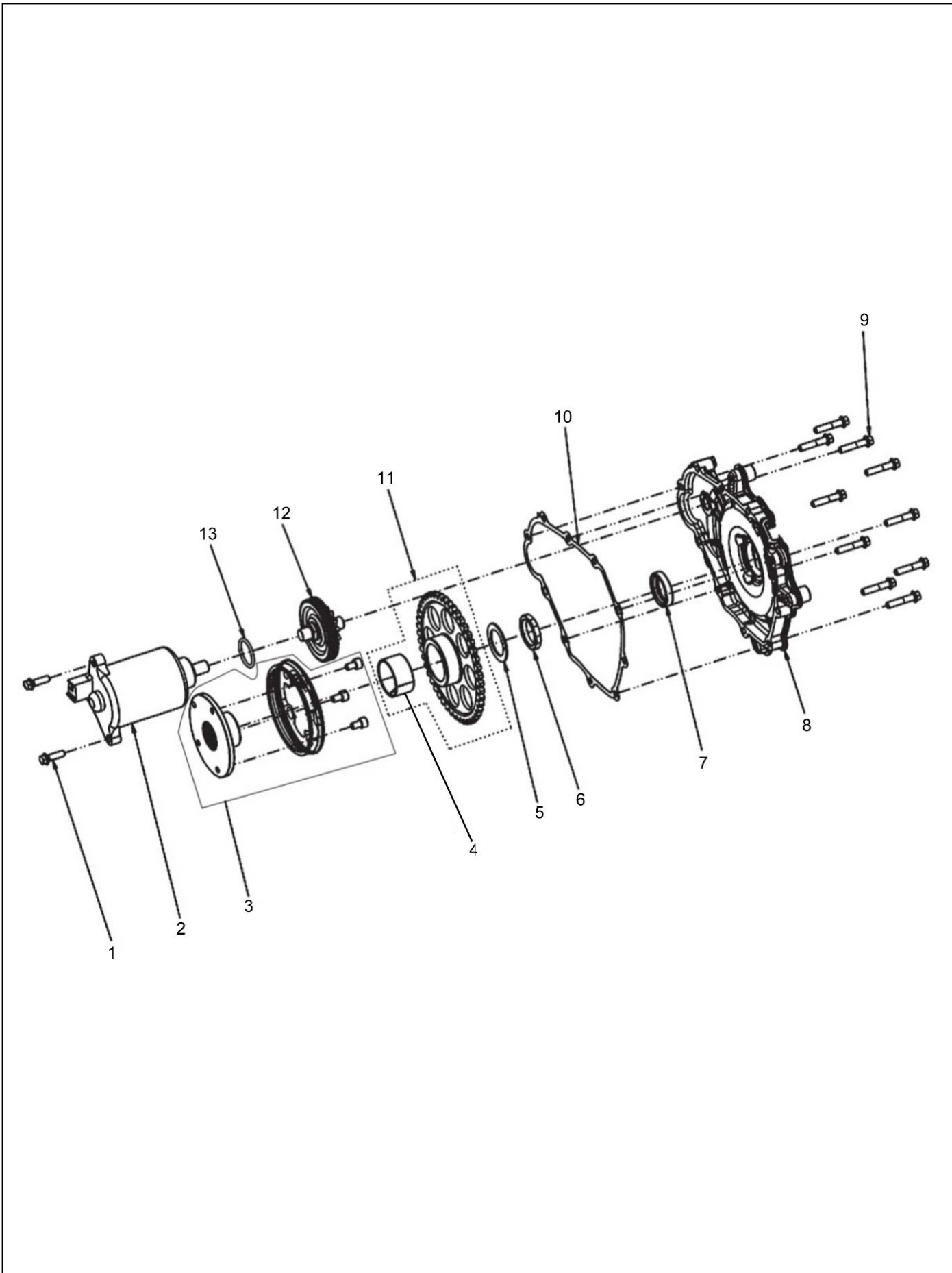


PLATE-15

Electric Starting Group

Fig. No.	Part No.	Description	Qty	Remarks
1	18639	SCREW M6X20	2	
2	1D000425R	STARTER MOTOR	1	
3	58296R	ONE WAY CLUTCH	1	
4	B015928	STARTER CROWN BUSH	1	
5	B016148	WASHER	1	
6	B016147	RING NUT	1	
7	B016120	SEAL RING 25X35X7	1	
8	B015888	STARTER COVER	1	
9	B018853	HEXAG. HEAD SCREW (M6X30)	10	
10	B015942	STARTER COVER GASKET	1	
11	B017055	TOOTHED CROWN ELECTRIC STARTER WITH I.P.	1	
12	B017189	ELECTRIC STARTER INTERMED GEAR WITH P.I.	1	
13	932282	O RING (STARTER MOTOR)	1	

PLATE-16
Gear Group

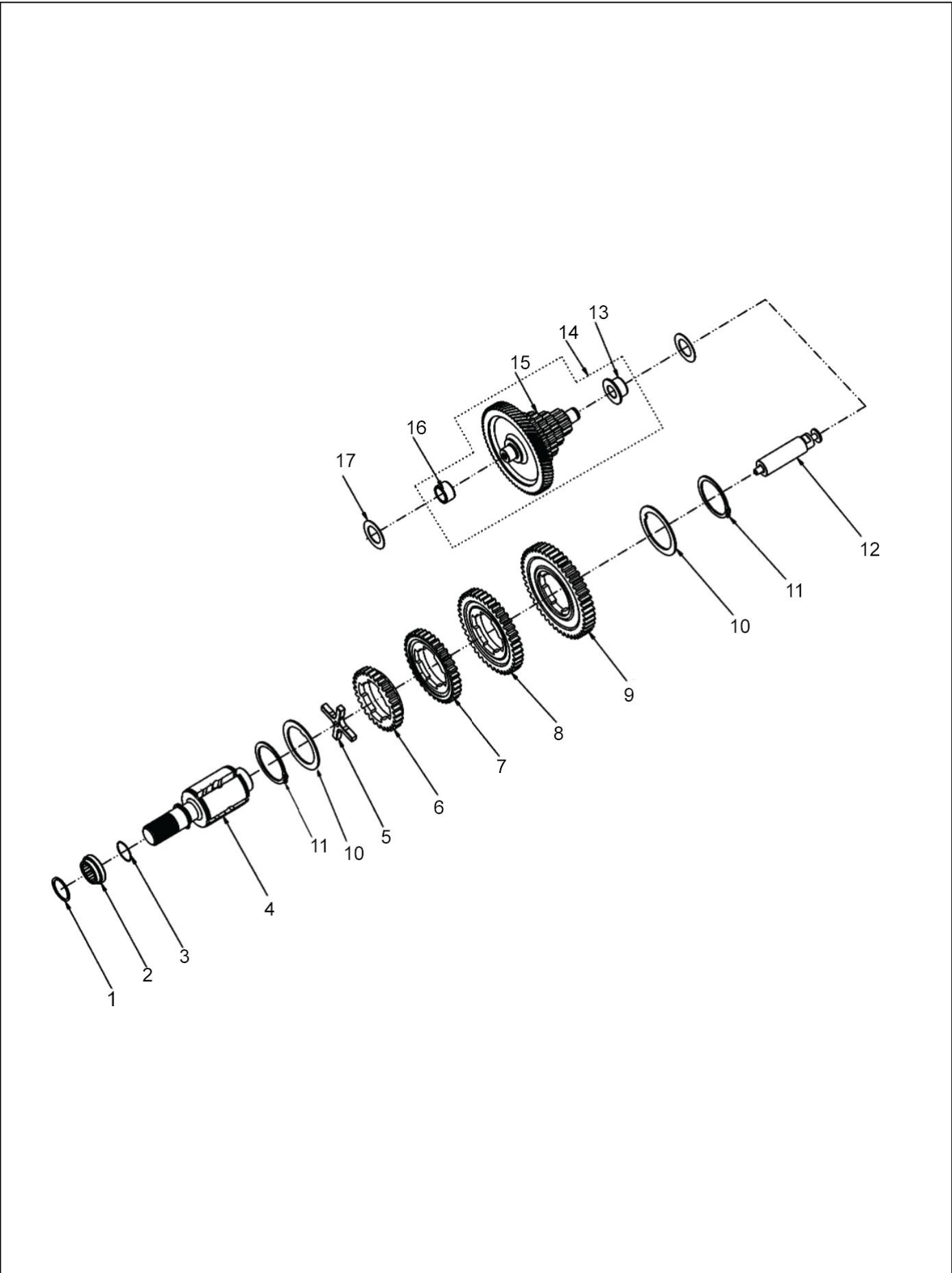


PLATE-16

Gear Group

Fig. No.	Part No.	Description	Qty	Remarks
1	B017177	SEAL RING	1	
2	B018472	SPACER	1	
3	B018473	O-RING	1	
4	B018471	SECONDARY GEAR SHAFT	1	
5	127306018	CROSS	1	
6	B041216	SPEED GEAR 4TH	1	
7	B041215	SPEED GEAR 3RD	1	
8	B041214	SPEED GEAR 2ND	1	
9	B041213	SPEED GEAR 1ST	1	
10	523012017	SHOULDER RING 1.7 MM THK	2	
11	842004808	CIRCLIP DIA.48 (EXT)	2	
12	523021018	STEM GEAR OPERATING	1	
13	B016205	INTERNAL RING (FLY WHEEL SIDE)	1	
14	1A000242	GEAR DRIVE SHAFT WITH I.P.	1	
15	B041220	CLUSTER GEAR (VE)	1	
16	122032014	INNER RING - CLUSTER GEAR	1	
17	B016206	SHOULDER WASHER	2	

PLATE-17
Differential Gear Group

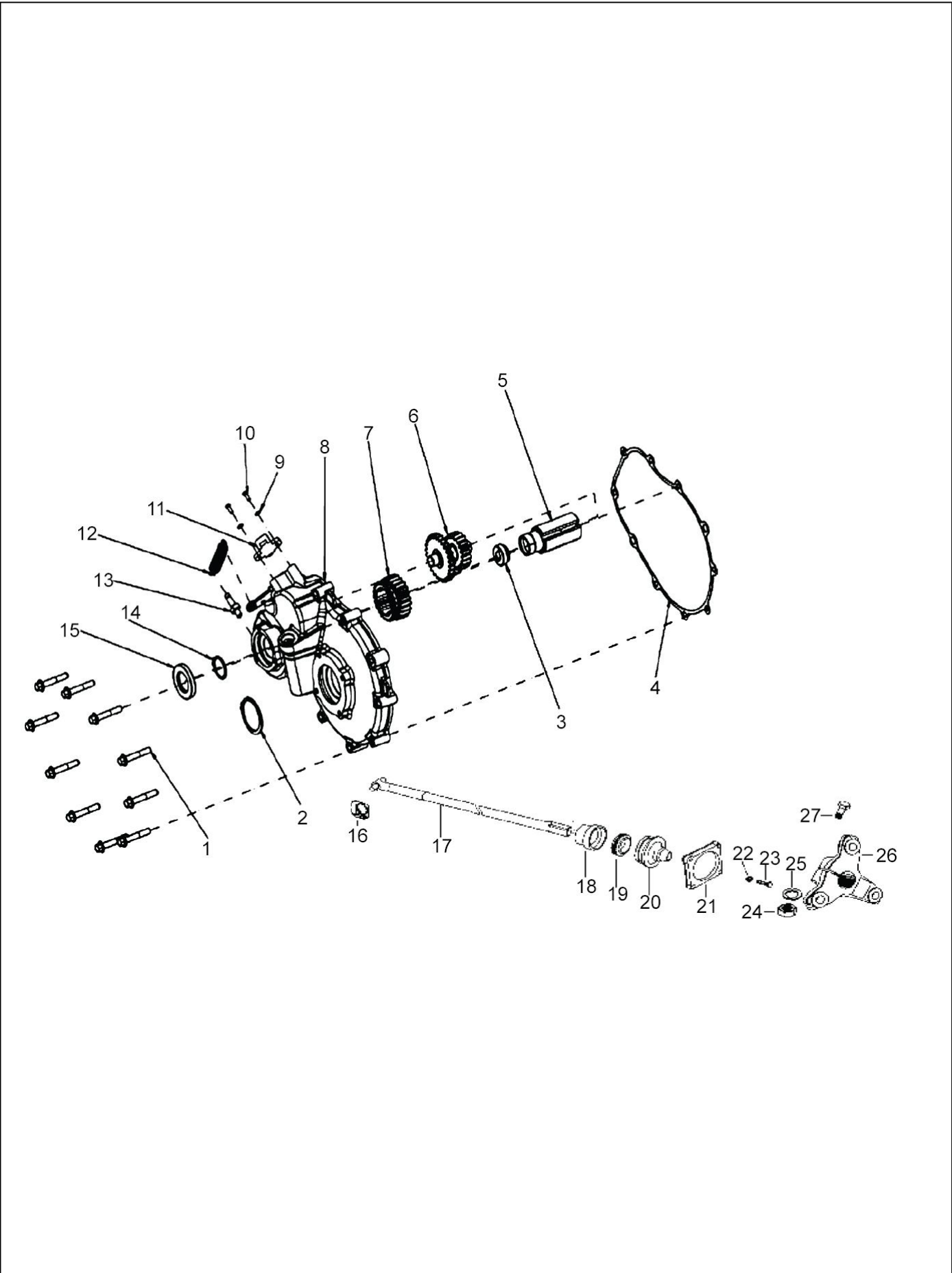


PLATE-17

Differential Gear Group

Fig. No.	Part No.	Description	Qty	Remarks
1	B016621	SCREW M8X50	10	
2	6450	EXT CIRCLIP DIA 48	1	
3	B018891	PLUG FOR FAREMETER	1	
4	B015875	DIFFERENTIAL COVER GASKET	1	
5	B018890	REVERSE SHAFT	1	
6	B017134	REVERSE GEAR - PETROL \ LPG	1	
6	B015817	REVERSE GEAR - CNG	1	
7	B017133	SLIDING GEAR - PETROL \ LPG	1	
7	B015816	SLIDING GEAR - CNG	1	
8	B016170	DIFFERENTIAL GEAR COVER WITH P.I.	1	
9	3054	PLAIN WASHER	2	
10	15996	PHIL RD HD SCREW M4X12	2	
11	567498R	BRAKE/REVERSE LIGHT SW (INTEGRAL CAP)-PAV	1	
12	127111011	REVERSE GEAR SPRING	1	
13	128307019	BOLT R.C. SPRING RETAINING	1	
14	842003000	CIRCLIP DIA. 30 (EXT.)	1	
15	1A000236	OIL SEAL	1	
16	11286R	SLIDER BLOCK PROP. SHAFT	4	
17	B023940	PROP. SHAFT S/A	2	
18	113278	BRACKET RETAINER RING (41736)	2	
19	183511	OIL RING	2	
20	198618	BELLOW	2	
21	111356	COVER	2	
22	16406	SPRING WASHER	8	
23	31092	HEX. HD SCREW M6X25	8	
24	231370	SELF BREAKING NUT M10	2	
25	16410	SPRING WASHER	2	
26	111498	ELASTIC HUB	2	
27	15578	HEX HD. BOLT M10X45	2	
28	124102019	FARE METER GEAR	1	

PLATE-18
Engine Support

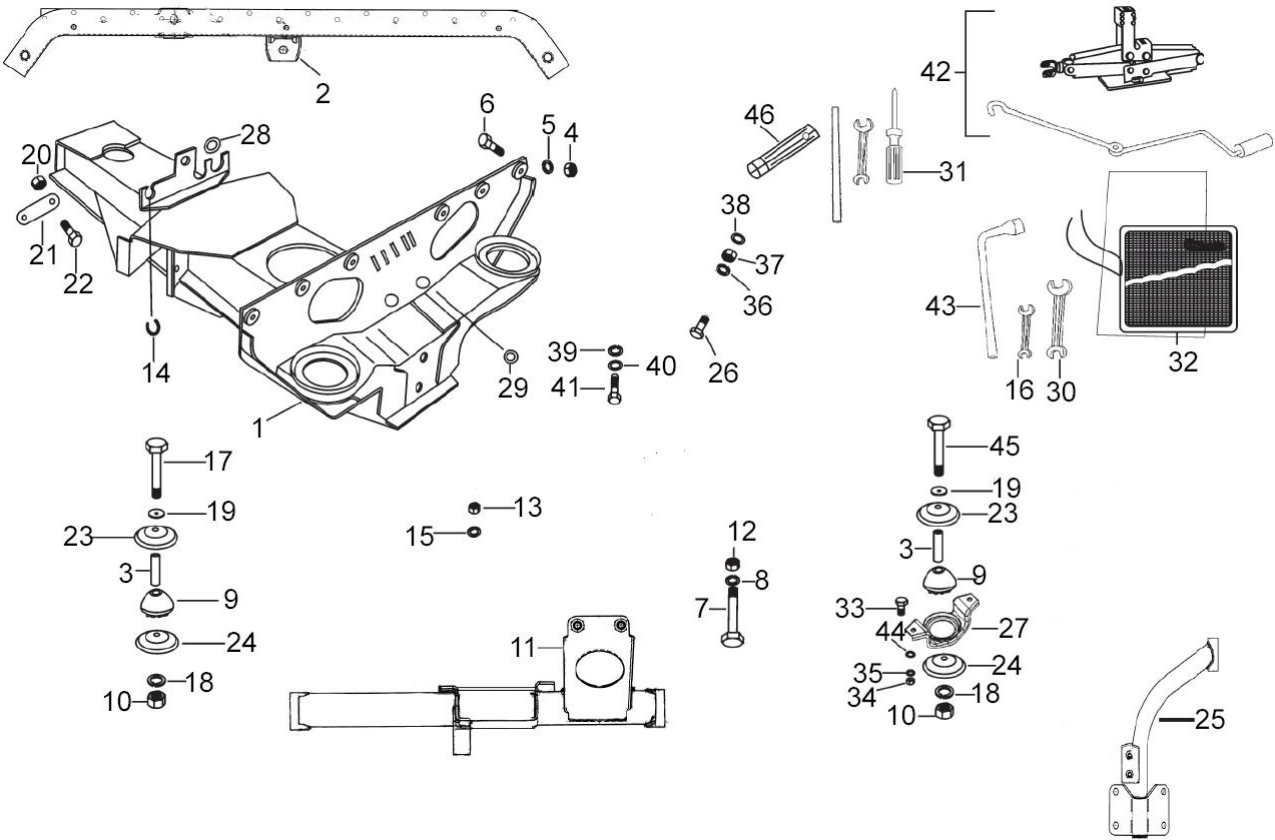


PLATE-18**Engine Support**

Fig. No.	Part No.	Description	Qty	Remarks
1	B024838	FRAME ASSY. SUSPENSION & ENGINE SUPPORT	1	
2	B008893	CROSS MEMBER ENGINE SUPPORT REAR	1	
3	569241	SPACER	2	
4	20108	HEX NUT M8	6	
5	16408	SPRING WASHER M8	6	
6	31119	HEX HD SCREW M8 X 25	6	
7	568689	HEX HEAD BOLT M10X100	2	
8	286328	PLAIN WASHER 20X10.2X2	2	
9	265091	DUMPER ENGINE MTG.	2	
10	15335	HEX HD NUT M8	2	
11	B008921	FRT CROSS MEMBER ASSY. ENG. MTG.	1	
12	231370	SELF BREAKING NUT M10	2	
13	20108	HEX NUT M8	2	
14	568140	GROMMET	1	
15	16408	SPRING WASHER M8	2	
16	567454	DOUBLE END SPANNER7/8	1	
17	604948	HEX.HDD BOLT M8 X 110 WITH POINTING	2	
18	16408	SPRING WASHER M8	3	
19	2383	PLAIN WASHER M20X8.5X2	3	
20	15235	NYLOCK NUT M10	2	
21	108834	PLATE	2	
22	632247	HEX HDD SCREW M10X30 CC8.8	2	
23	569375	PLATE	3	
24	569244	PLATE	3	
25	B008898	SUPPORT ARM ENGINE REAR SUB ASSY WITH IP	1	
26	16406	SPRING WASHER	2	
27	B003286	REAR AVM SUPPORT BKT. ASSY.	1	
28	178610	GROMMET	1	
29	15478	GROMMET4	2	
30	567456	DOUBLE END SPANNER 12/14	1	
31	567458	SCREW DRIVER (-)&(+) 80	1	
32	B006688	TOOL BAG	1	
33	31154	HEX HDD SCREW M10X22 CL 8.8	2	
34	20108	HEX NUT M8	4	
35	16410	SPRING WASHER	2	
36	16410	SPRING WASHER	2	
37	20110	HEX NUT M10	4	
38	286328	PLAIN WASHER 20X10.2X2	2	
39	16408	SPRING WASHER M8	2	
40	2383	PLAIN WASHER M20X8.5X2	2	
41	B003855	SOCKET HEAD CAP SCREW M8	2	
42	B023718	JACK ASSLY (APE CITY) 0.5T	1	

PLATE-18
Engine Support

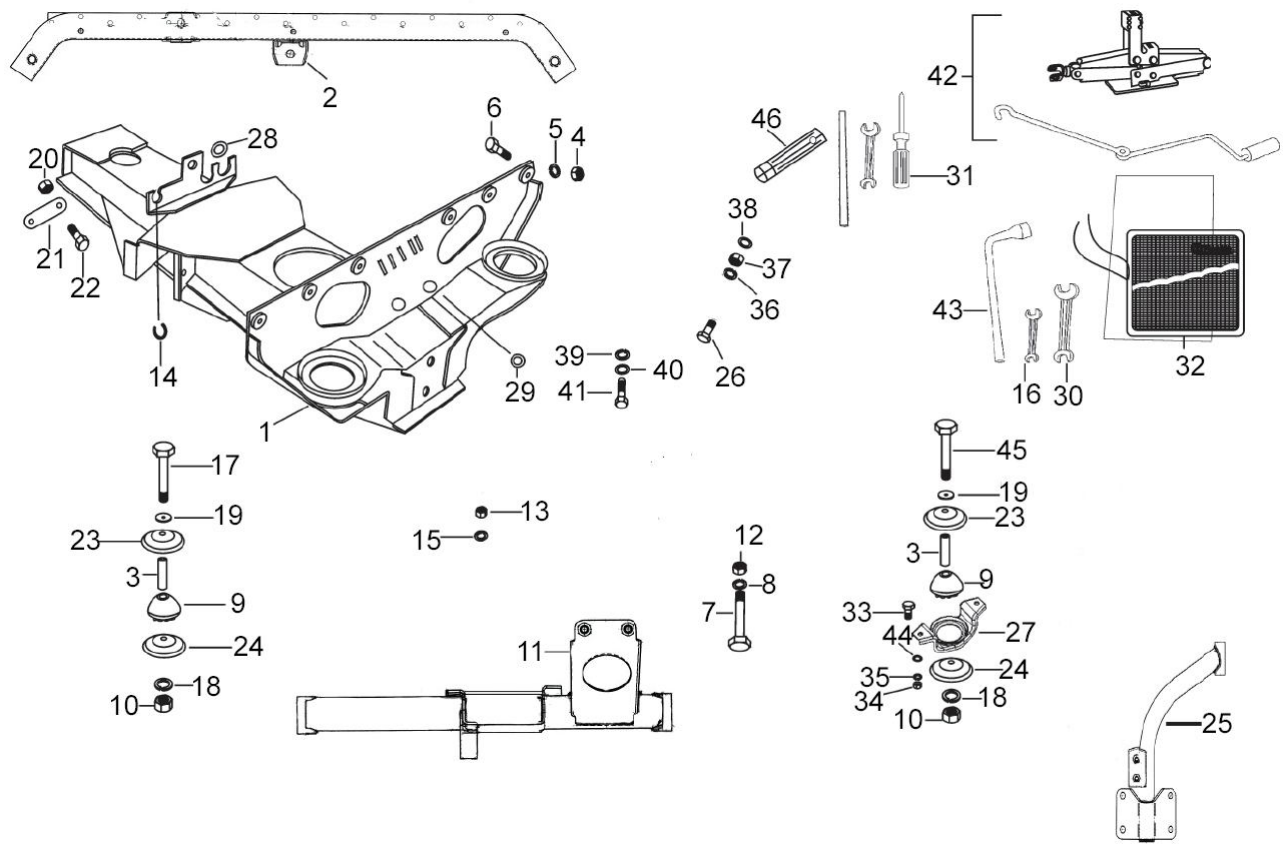


PLATE-18**Engine Support**

Fig. No.	Part No.	Description	Qty	Remarks
43	B001494	L TYPE SPANNER-A/F -16	1	
44	286328	PLAIN WASHER 20X10.2X2	2	
45	272178	HEX. HDD BOLT M8 X 122 CL 10.9	1	
46	675378	SOCKET WRENCH 16	1	

PLATE-19

Fuel Tank/Filter/Fuel Pipes

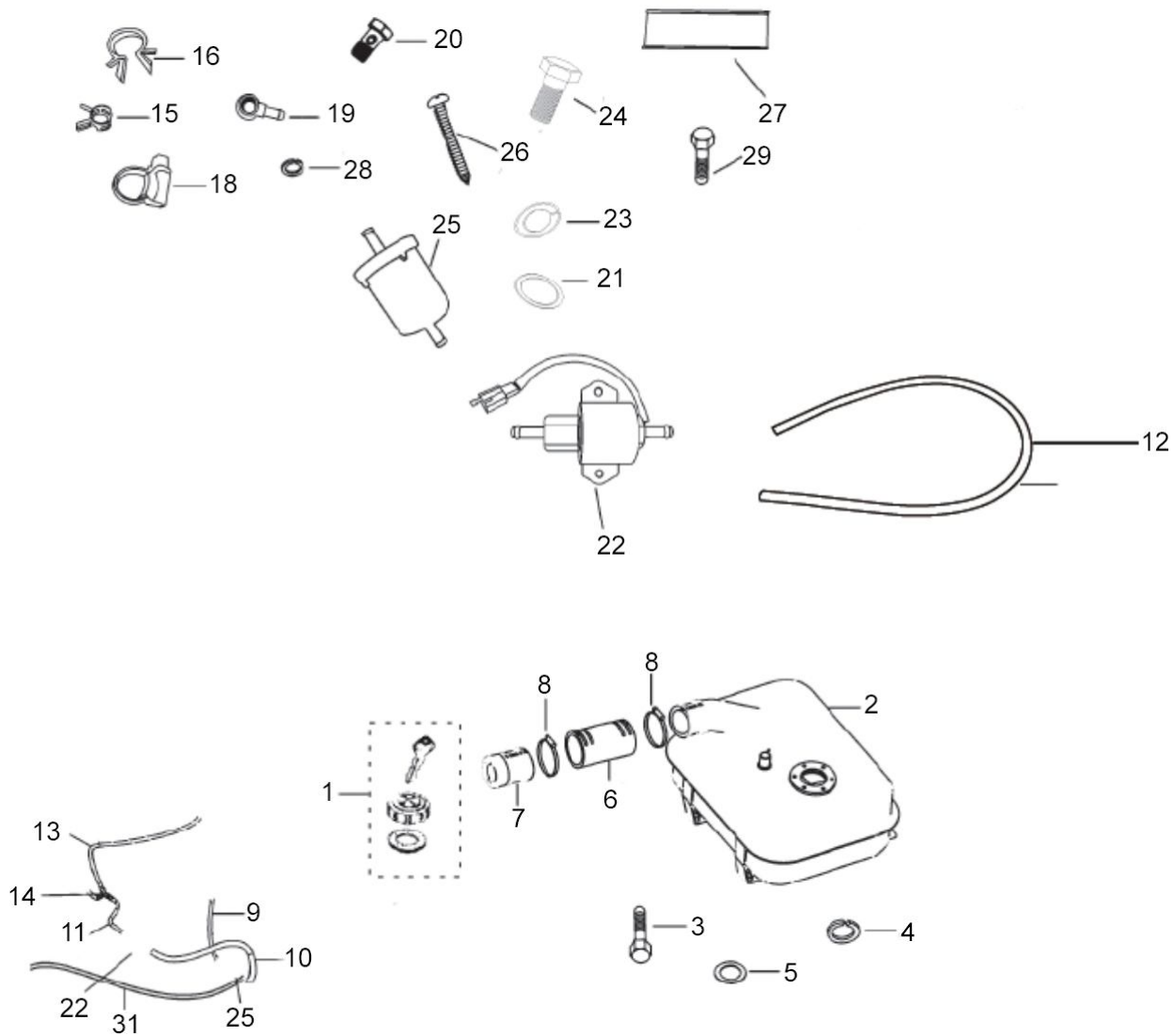


PLATE-19

Fuel Tank/Filter/Fuel Pipes

Fig. No.	Part No.	Description	Qty	Remarks
1	B024170	DIESEL TANK CAP WITH KEY	1	
2	B001430	FUEL TANK ASSY.	1	
2	B002278	FUEL TANK ASSY. COMPLETE (CNG/LPG)	1	
3	31088	HEX HD SCREW M6 X 16 CL 8.8 (811061623)	4	
4	16406	SPRING WASHER	4	
5	13880	METALIC PLAIN WASHER	4	
6	B003114	HOSE FUEL TANK	1	
7	B003115	TUBE FUEL TANK FILLER ASSY	1	
8	604756	HOSE CLIP	2	
9	B009582	FUEL PIPE TANK TO FILTER	1	
10	B002625	FUEL PIPE FILTER TO FEED PUMP - CNG/LPG	1	
11	B002626	FEED PUMP TO 'Y' CONNECTOR - CNG/LPG	1	
12	B024892	Y CONT. TO CARBURETTOR - CNG/LPG	1	
13	B002628	Y CONNECTOR TO FUEL ANK RETURN - CNG/LPG	1	
14	644824	THREE WAY 'Y' CONNECTOR - CNG/LPG	1	
15	B003282	HOSE CLIP (DIA.7) (PETROL & CNG/LPG)	2	
16	B003929	FLY SPRING (CNG/LPG)	2	
17	604591	HOSE CLIP - (CNG/LPG)	6	
17	604591	HOSE CLIP - (CNG/LPG)	2	
18	109249	CLAMP	2	
19	604908	BANJO	1	
20	604909	BANJO BOLT (M14X1.5)	1	
21	604910	COPPER WASHER FEED PUM	2	
22	B002630	ELECTRICAL FEED PUMP CNG/LPG	1	
23	16406	SPRING WASHER	2	
24	31088	HEX HD SCREW M6 X 16 CL 8.8 (811061623)	2	
25	616738R	FUEL FILTER	1	
26	15733	SELF TAPPING SCREW (PETROL & CNG/LPG)	1	
27	652105	RUBBER PACKING PRIMARY FUEL FILTER (PETROL & CNG/LPG)	1	
28	217280	SPRING WASHER M6 (PETROL & CNG/LPG)	4	
29	31088	HEX HD SCREW M6 X 16 CL 8.8 (811061623)	4	
30	13880	METALIC PLAIN WASHER	4	
31	B003942	FUEL PIPE FUEL FILTER TO CARBURETTOR - CNG/LPG	1	
32	B024908	FUEL PIPE FUEL FILTER TO CARB.	1	

PLATE-20

Wind Shield/Glass/Beading

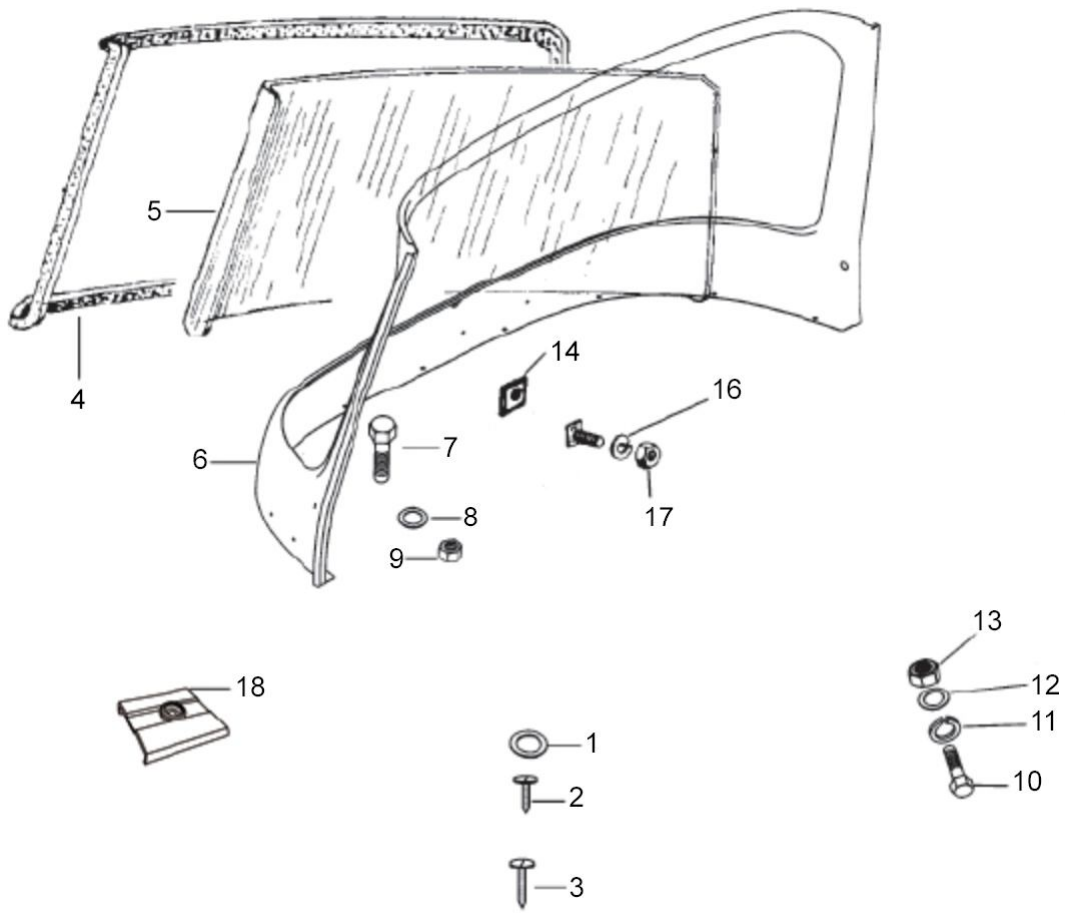


PLATE-20**Wind Shield/Glass/Beading**

Fig. No.	Part No.	Description	Qty	Remarks
1	16670	PLAIN WASHER 12X4.5X1	2	
2	568692	PAN SELF TAP SCREW 6SG X 16AB	2	
3	18630	PAN SELF TAP SCREW 6SG X 25AB	2	
3a	B009429	SELF TAP SCREW AB3.5X38	2	
4	109012	WIND SHIELD PACKING	1	
5	109011	TOUGHENED WINDSCREEN	1	
5	587963	LAMINATED WINDSHIELD GLASS	1	
6	632288	PASS WIND- SHIELD FRAME ASSY	1	
7	B001386	HEX HEAD SCREW M5X20	9	
8	16405	SPRING WASHER M5	16	
9	20105	HEX NUT M5	20	
10	30242	SLOT CH. HD. SCREW	4	
11	808000826	PLAIN WASHER M8	2	
12	16408	SPRING WASHER M8	2	
13	20108	HEX NUT M8	2	
14	190462	PLATE ASSY.	5	
15	B024645	RIM COVERAGE JOINT	1	
16	3054	PLAIN WASHER	5	
17	20104	HEX NUT M4	5	
18	B024855	TERMINAL	2	

PLATE-21

Main Frame/Driver Seat/Battery Bkt//Nose/Fr. Mud/Mud Flap

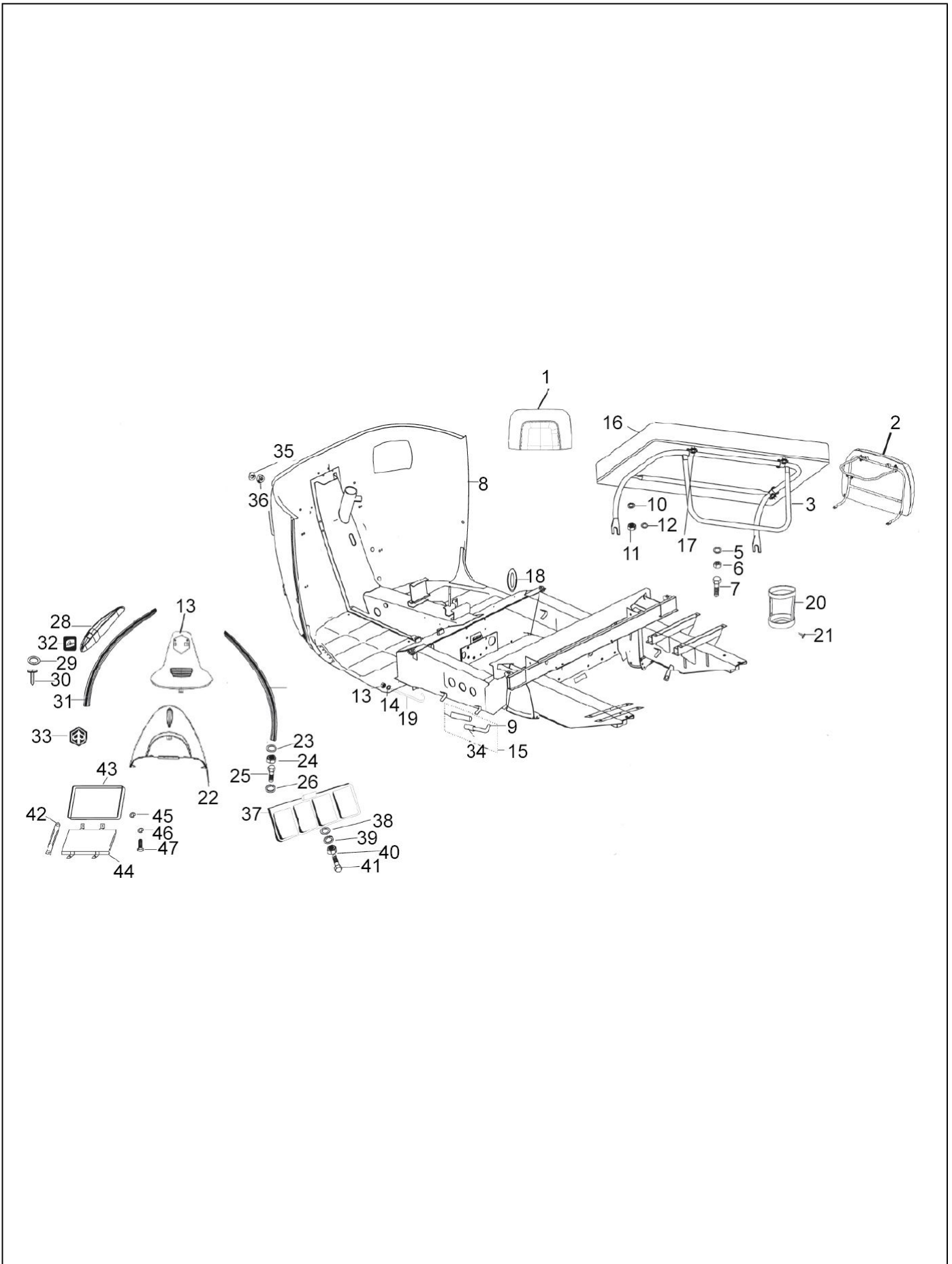


PLATE-21**Main Frame/Driver Seat/Battery Bkt//Nose/Fr. Mud/Mud Flap**

Fig. No.	Part No.	Description	Qty	Remarks
1	B024542	DRIVER BACK REST ASSY	1	
2	B024520	DRIVER SEAT ASSY COMPLETE	1	
2	B024516	PASS DRIVER SEAT ASSY (CNG/LPG)	1	
3	B001294	DRIVER SEAT PIPE S/A	1	
3	B024521	DRIVER SEAT PIPE S/A (CNG/LPG)	1	
4	16408	SPRING WASHER M8	2	
5	2383	PLAIN WASHER M20X8.5X2	4	
6	20108	HEX NUT M8	2	
7	31119	HEX HD SCREW M8 X 25	2	
8	B024637GY	MAIN FRAME ASSY. WITH IP (PETROL) - GY	1	
8	B024637BY	MAIN FRAME ASSY. WITH IP (PETROL) - BY	1	
8	B024790EG	MAIN FRAME ASSY. WITH IP (LPG) - EG	1	
8	B024790GY	MAIN FRAME ASSY. WITH IP (LPG) - GY	1	
8	B024790BY	MAIN FRAME ASSY. WITH IP (LPG) - BY	1	
8	B024787EG	MAIN FRAME ASSY. WITH IP (CNG) - EG	1	
8	B024787GY	MAIN FRAME ASSY. WITH IP (CNG) - GY	1	
8	B024787BY	MAIN FRAME ASSY. WITH IP (CNG) - BY	1	
9	604954	TENSION ROD	1	
10	16408	SPRING WASHER M8	6	
11	20108	HEX NUT M8	6	
12	3058	PLAIN WASHER 15X8.4X1.5	6	
13	20108	HEX NUT M8	1	
14	3058	PLAIN WASHER 15X8.4X1.5	1	
15	632508	TENSION ROD ASSY. (BATTERY MOUNTING.)	1	
16	B024496	DRIVER SEAT SUB. ASSY	1	
17	B001273	C CLAMP	3	
18	B002412	GROMMET WIRING HAND BRAKE	1	
19	604954	TENSION ROD	1	
20	645141	BOTTLE CARRIER STAND	1	
21	660168	PAN SELF TP. SCREW 10 SGX13AB	2	
22	B024452	FR. MUDGUARD & TRIM ASSLY	1	
23	13880	METALIC PLAIN WASHER	8	
24	20106	HEX NUT M6	4	
25	31089	HEX HEAD SCREW M6X18 CL 8.8	4	
26	78307	BENT SPRING WASHER M6	4	
27	B025598	CENTRAL COVER	1	
28	B025603	FR. MUD. TRIM	1	
29	97756	METALLIC PLAIN WASHER	2	
30	B001493	PAN SELF TAP SCREW 4SG X 16AB	2	
31	568703	GASKET FOR FRONT MUDGUARD	2	
32	B003261	ORNAMENT CREST	1	
33	615101	EMBLEM PIAGGIO	1	

PLATE-21

Main Frame/Driver Seat/Battery Bkt//Nose/Fr. Mud/Mud Flap

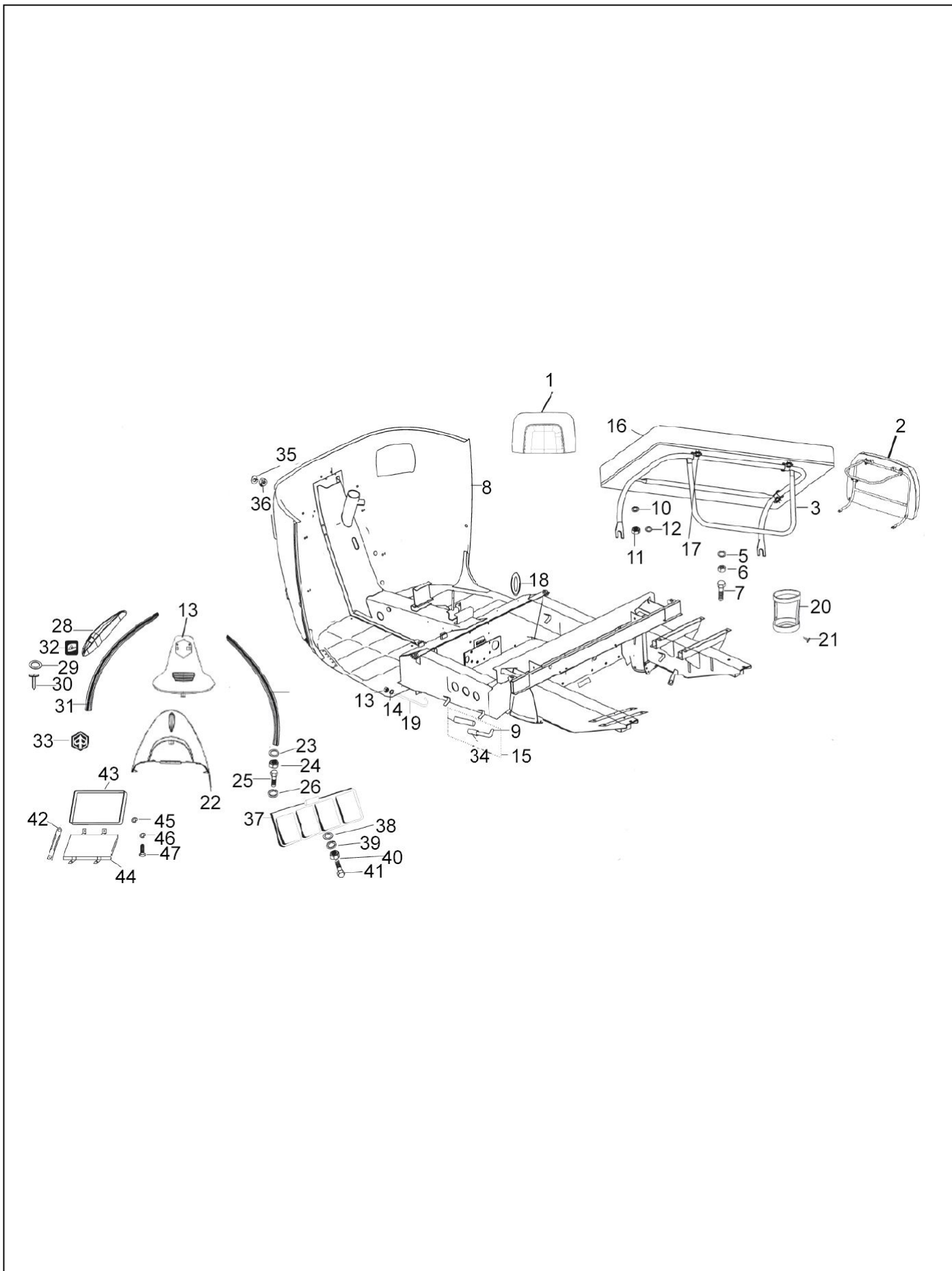


PLATE-21**Main Frame/Driver Seat/Battery Bkt//Nose/Fr. Mud/Mud Flap**

Fig. No.	Part No.	Description	Qty	Remarks
34	567515	REGISTER	1	
35	3054	PLAIN WASHER	5	
36	20104	HEX NUT M4	5	
37	B041054	MUD FLAP FRONT	1	
38	13880	METALIC PLAIN WASHER	4	
39	16406	SPRING WASHER	4	
40	20106	HEX NUT M6	4	
41	31088	HEX HD SCREW M6 X 16 CL 8.8 (811061623)	4	
42	B003978	BATTERY HOLDING PLATE	1	
43	616649	BATTERY TRAY	1	
44	B003415	BATTERY STAND S/A	1	
45	13861	PLAIN WASHER 20X8.2X2.5	4	
46	16408	SPRING WASHER M8	4	
47	31118	SCREW M8X20	4	

PLATE-22

Inner Parts Of Cabin

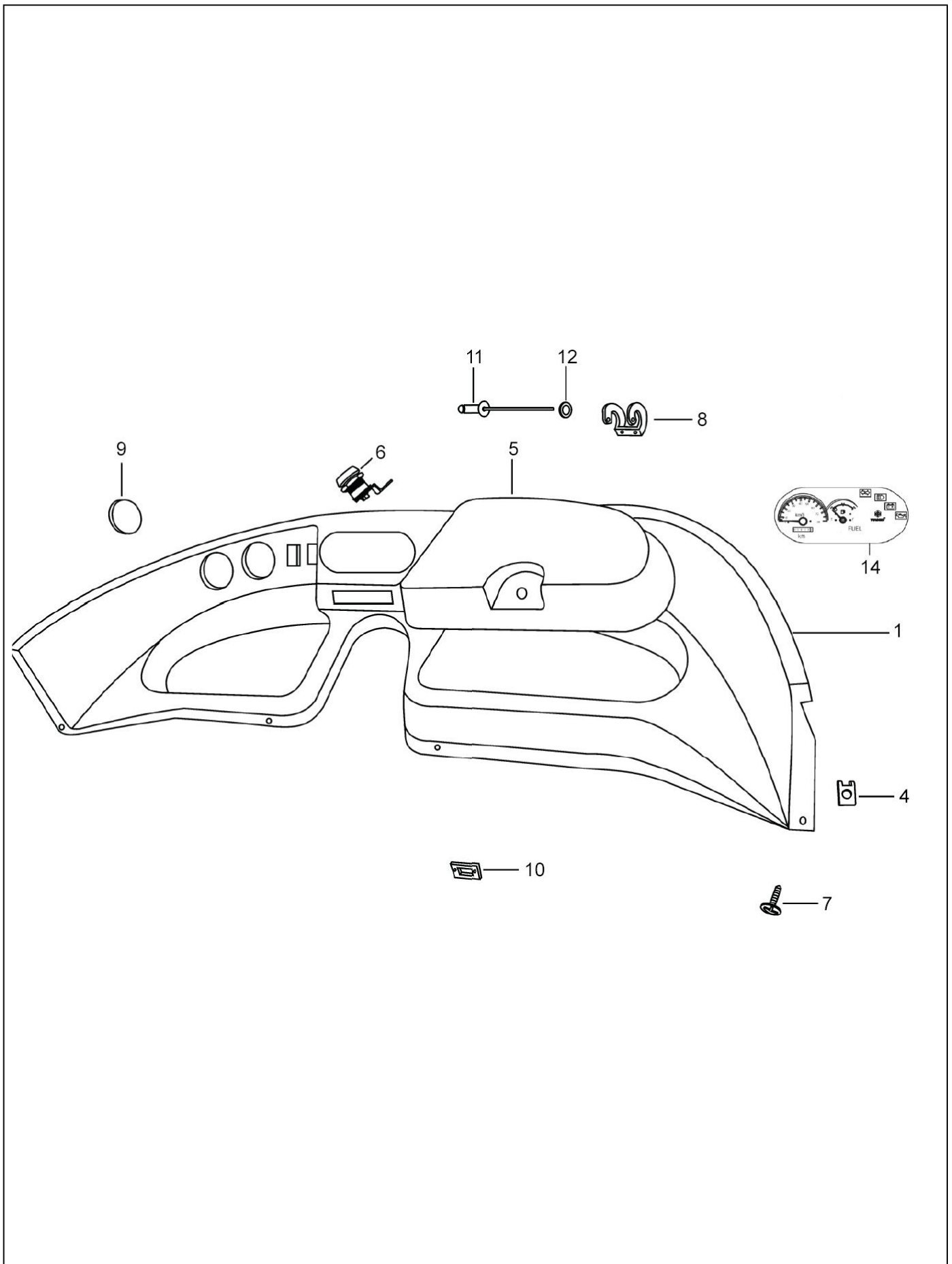


PLATE-22**Inner Parts Of Cabin**

Fig. No.	Part No.	Description	Qty	Remarks
1	660322	DASH BOARD OBJECT & INSTRUMENT HOLDER (VE)	1	
4	8080	SPRING PLATE	4	
5	604548	GLOVE BOX COVER	1	
6	B024169	GLOVE BOX LOCK WITH KEY	1	
7	660168	PAN SELF TP. SCREW 10 SGX13AB	4	
8	605389	HINGE	1	
9	604984	CAP DASH BOARD	2	
10	643691	BOLT LOCK PLATE	1	
11	567893	POP RIVET 4 X 9.5	4	
12	3054	PLAIN WASHER	8	
13	568671	GASKET - GLOW BOX COVER (N.I.)	4	
14	B001481R	INSTR. CLUSTER (PETROL)	1	
14	B002209R	INSTR. CLUSTER (CNG/LPG)	1	
15	B024683	LOCK SET	1	

PLATE-23
Rear Suspension

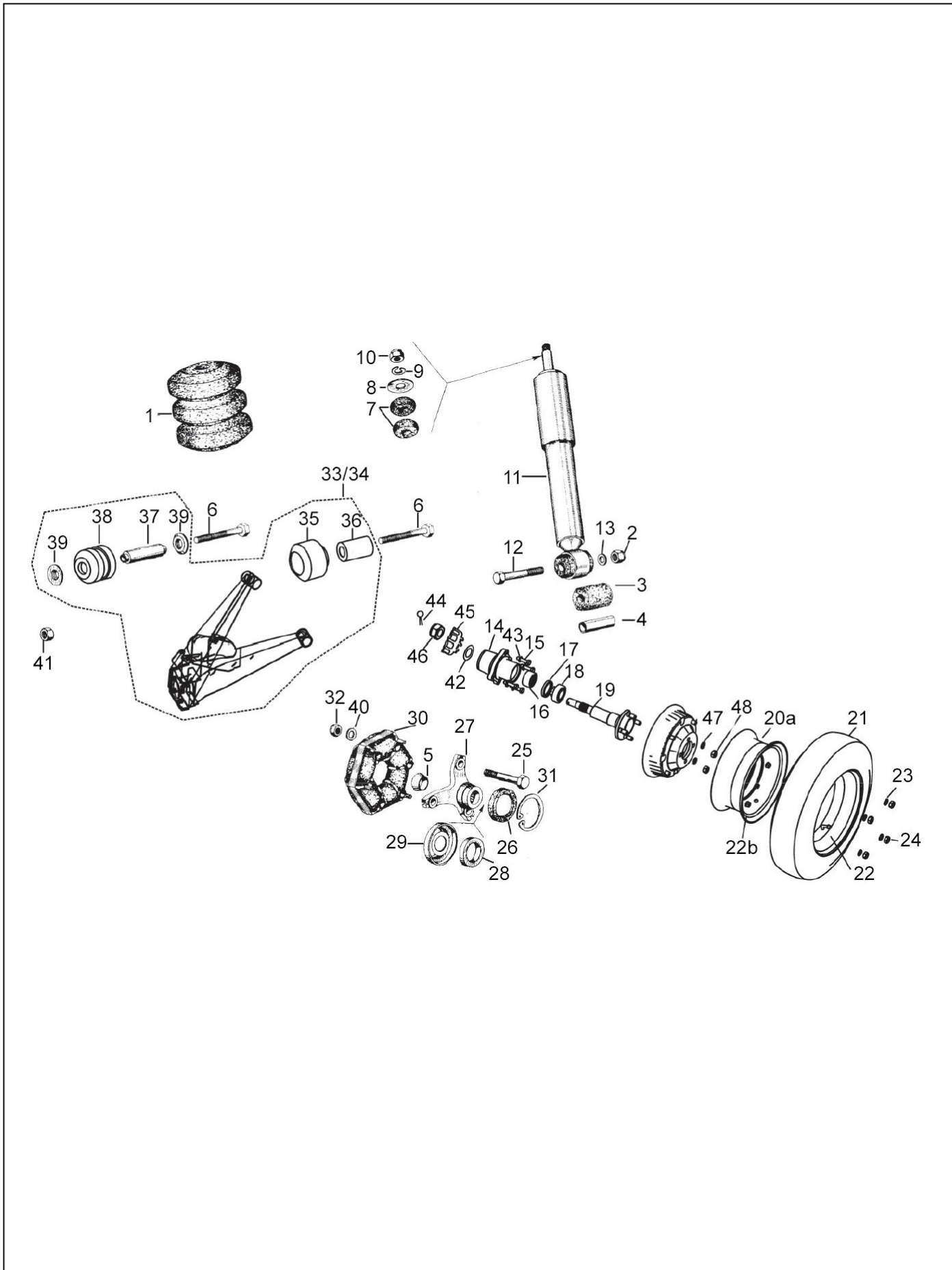


PLATE-23

Rear Suspension

Fig. No.	Part No.	Description	Qty	Remarks
1	B002470	RUBBER BUMPER	2	
2	231370	SELF BREAKING NUT M10	2	
3	157103	BUSH - SHOCK ABSORBER	2	
4	107827	SPACER	1	
5	128633	CONE	1	
6	643741	HEX HDD BOLT M10 X 80 CL 12.9	4	
7	157103	BUSH - SHOCK ABSORBER	4	
8	6066	PL WASHER 10.5X38X9	2	
9	16410	SPRING WASHER	2	
10	20110	HEX NUT M10	2	
11	136451	SHOCK ABSORBER REAR	2	
12	267068	HEX HEAD BOLT M10 X 60 CC 10.9	2	
13	286328	PLAIN WASHER 20X10.2X2	2	
14	B002344	REAR WHEEL HUB	2	
15	B002486	BOLT M8 X 35 6G CL 12.9	8	
16	128486	NEEDLE BEARING REAR WHEEL HUB (ROLLER CAGE)	2	
17	20359	SEAL RING	2	
18	243303	BALL BEARING RR WHEEL AXLE TATA 62/22	2	
19	B002354	REAR WHEEL AXLE COMPLETE	2	
20a	661570P	WHEEL RIM INNER	1	
20b	661571P	WHEEL RIM OUTER	1	
21	B001317	TYRE & TUBE ASSEMBLY	4	
22	B001316	INNER TUBE FOR TYRE 4.0 X 8 INCH	4	
23	16410	SPRING WASHER	12	
24	20110	HEX NUT M10	12	
25	15594	HEX HDD BOLT M10 X 35	12	
26	196302	OIL SEAL	2	
27	587617	ELASTIC JOINT CONNECTION HUB (WHL - SIDE)	2	
28	661267	RING	2	
29	109892	PROTECTION CUP RR HUB	2	
30	604535	FLEXIBLE COUPLING	2	
31	6650	CIRCLIP DIA 50 (INT)	2	
32	231370	SELF BREAKING NUT M10	12	
33	B009603	ARM ASSY. LH SUSPENSION WITH SILENT BUSH	1	
34	B009605	ARM ASSY. RH SUSPENSION WITH SILENT BUSH	1	
35	226662	RING FOR ELASTIC SUPPORT	2	
36	226661	INTERNAL BUSH	2	
37	267065	SPACER FRONT	2	
38	226596	BUSH FRONT RING FOR ELASTIC SUPPORT	2	
39	661266	SHOULDER WASHER	4	
40	237246	SHIM WASHER 20X10.2X1	12	
41	231370	SELF BREAKING NUT M10	4	

PLATE-23
Rear Suspension

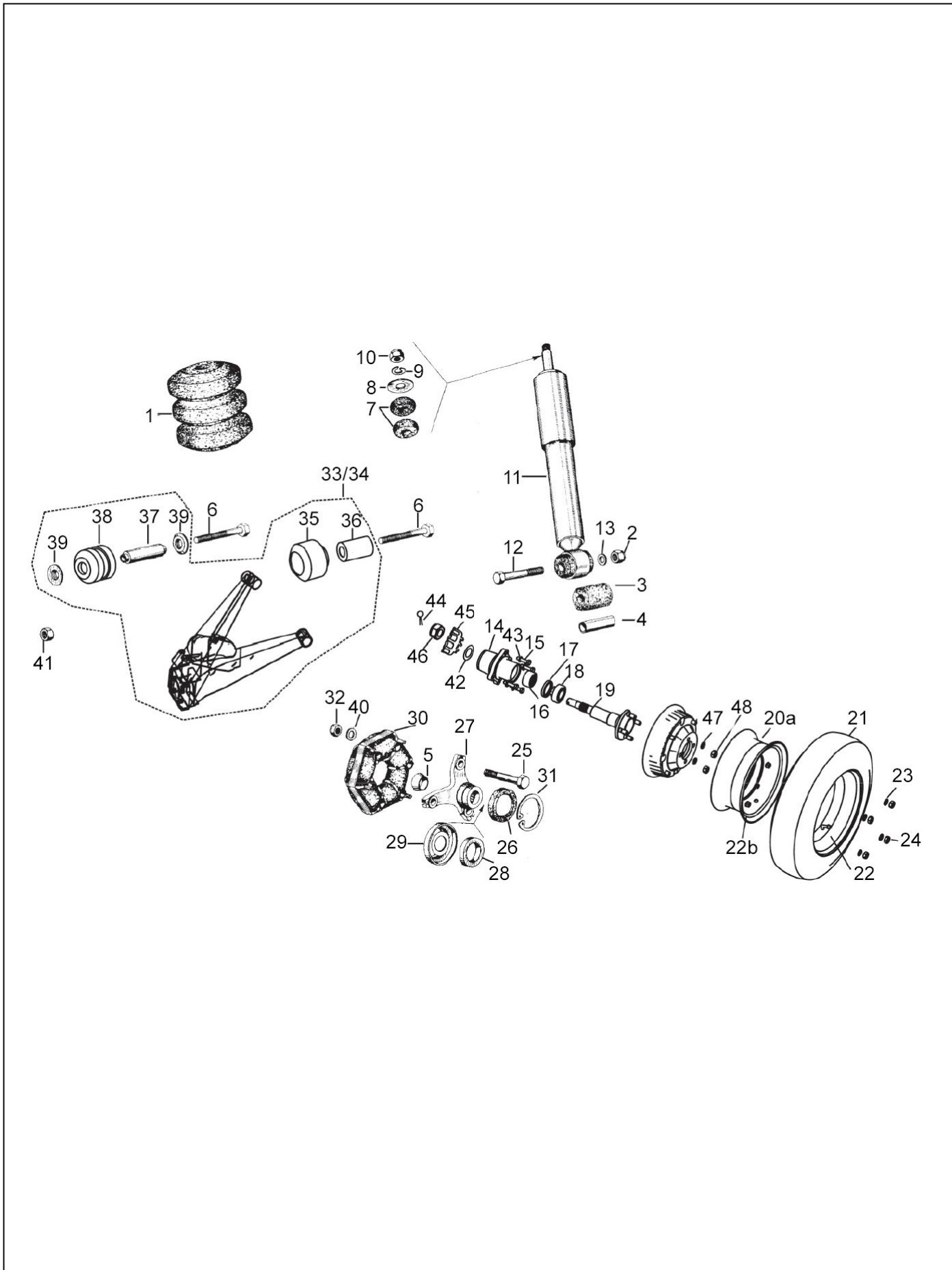


PLATE-23**Rear Suspension**

Fig. No.	Part No.	Description	Qty	Remarks
42	3068	PLAIN WASHER	1	
43	16408	SPRING WASHER M8	8	
44	12790	SPLIT PIN	2	
45	177559	CAP	2	
46	21118	HEX NUT M18 X 1.5P	2	
47	16410	SPRING WASHER	8	
48	20110	HEX NUT M10	8	

PLATE-24
Steering Column And Front Suspension

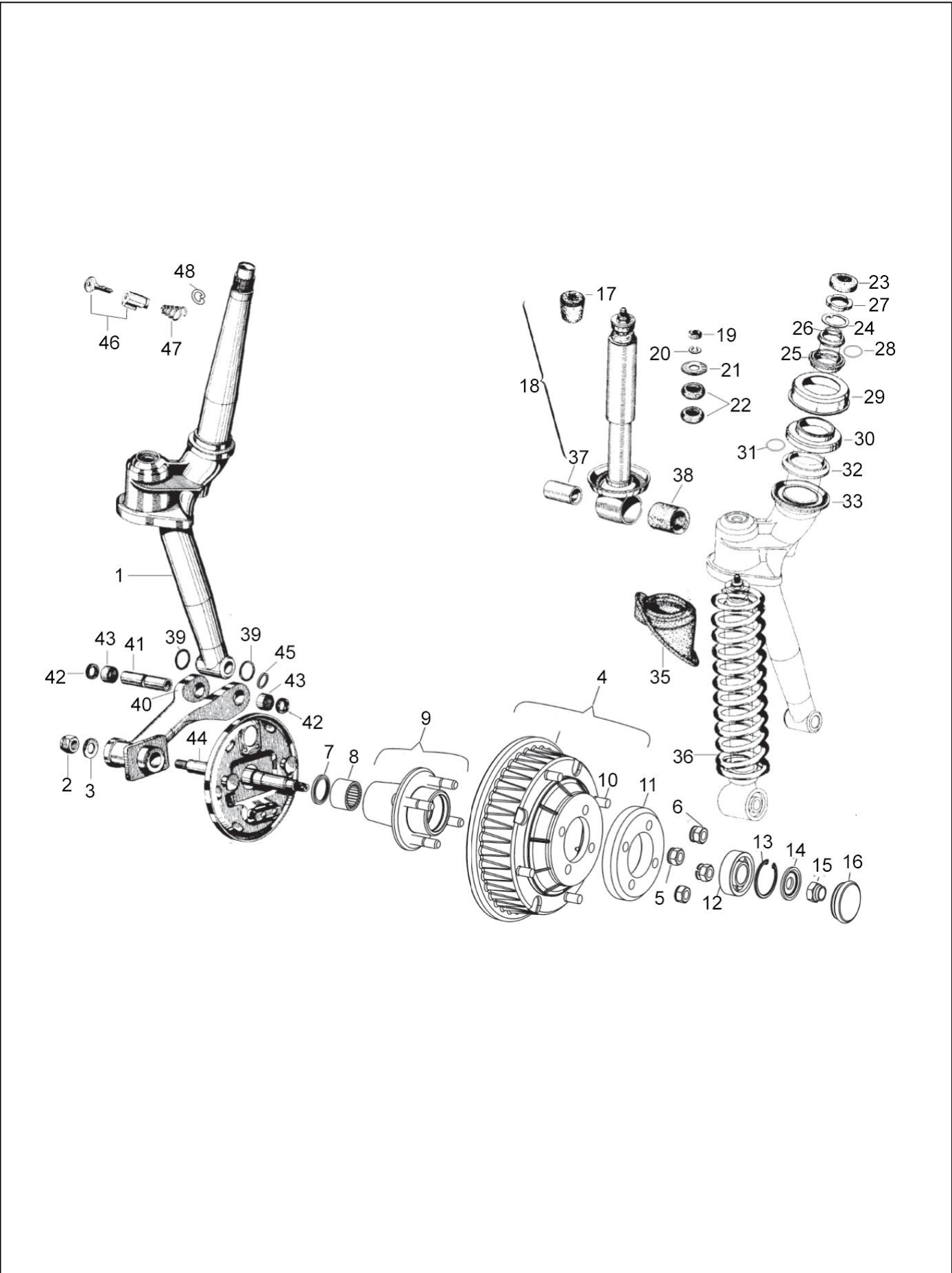


PLATE-24

Steering Column And Front Suspension

Fig. No.	Part No.	Description	Qty	Remarks
1	B008177	STEERING COLUMN COMP. WITH SUSP. ARM	1	
1	B008116	STEERING COLUMN WITH IP	1	
2	568095	NYLOCK NUT	1	
3	87067	PLAIN WASHER 30.5X14.3X2	1	
4	B024375	BRAKE DRUM ASSY. COMPLETE	1	
5	16410	SPRING WASHER	4	
6	20110	HEX NUT M10	4	
7	196302	OIL SEAL	1	
8	125289	NEEDLE BEARING, CRANKASE, FRONT WHEEL	1	
9	B001302	FRONT HUB ASSLY.	1	
10	B001323	STUD M10 - BRAKE DRUM	4	
11	B024371	SPACER DISC FRONT WHEEL MTG.	1	
12	30209R	BALL BEARING FRONT WHEEL HUB	1	
13	567473	CIRCLIP DIA. 42 INT. (841004203)	1	
14	180431	COIN WASHER	1	
15	74521	NUT M14 X 1.5	1	
16	107871	CAP	1	
17	75708	SILENT BLOCK	1	
18	B008117	FRONT SHOCK ABSORBER	1	
19	21110	HEX UT M10 X 1.25 P ASSY.	1	
20	16410	SPRING WASHER	10	
21	6066	PL WASHER 10.5X38X9	1	
22	74414	RUBBER BUSH/BUFFER FOR COUPLING SHOCK ABSORBE	2	
23	604758	PROTECTION	1	
24	108873	STOP WASHER FOR HOLDING	1	
25	567990	BEARING RACE UPPER BOTTOM	1	
26	567991	BEARING RACE UPPER TOP	1	
27	108874	SECURING RING NUT	1	
28	662423	SOLID OIL BALL CAGE (UPPER) 7105	1	
29	109064	DUST COVER	1	
30	567992	BEARING RACE LOWER TOP	1	
31	662422	SOLID OIL BALL CAGE (LOWER) 7104	1	
32	567993	BEARING RACE LOWER BOTTOM	1	
33	109066	WASHER WITH PROTECTION FOR BEARING	1	
34	604759	RUBBER CAP STEERING COLUMN (N.I.)	AR	
35	109064	DUST COVER	1	
36	107732	BUSH FOR SILENT BLOCK	1	
37	109117	RUBBER BUSH (FRT SHOCK ABSORBER) / RING	1	
38	566545	RUBBER BUSH (FRT SHOCK ABSORBER) - MODIFIED	1	
39	6733	O RING	2	
40	B024018	FRONT SUSPENSION ARM	1	
41	137235	STEERING PIN	1	

PLATE-24

Steering Column And Front Suspension

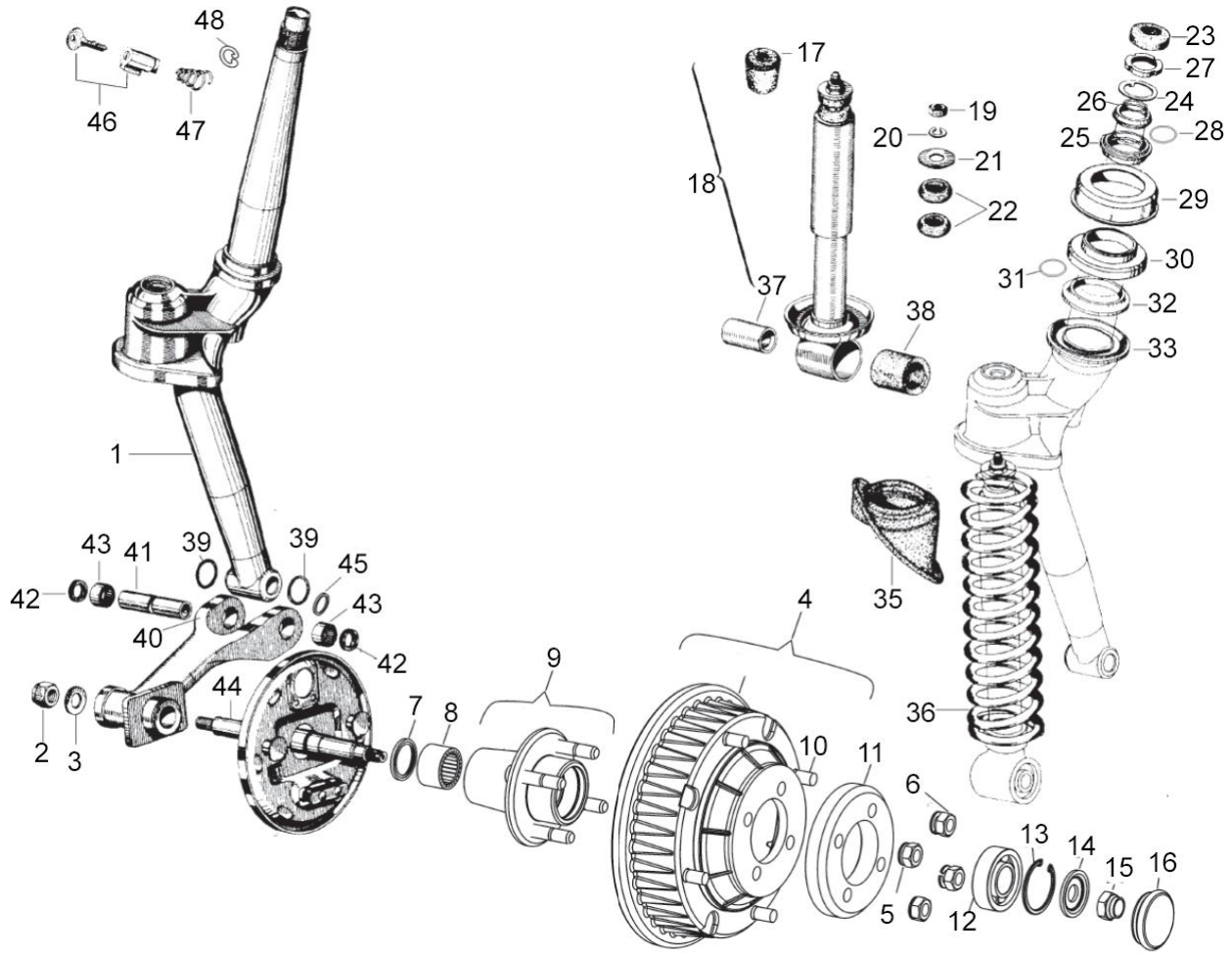


PLATE-24**Steering Column And Front Suspension**

Fig. No.	Part No.	Description	Qty	Remarks
42	8771	OIL SEAL (18-24-4)	2	
43	107718	ROLLER BUSH	2	
44	643772R	FRONT WHEEL AXLE	1	
45	150579	RING FOR HOLDING TYPE J F101 17A	2	
46	661230	STEERING LOCK	1	
47	569150	SPRING; STEERING LOCK (MODIFIED)	1	
48	661231	CIRCLIP STEERING LOCK DIA 16 (INT)	1	
49	127927	PACKING (NI)	2	

PLATE-25
Handle Bar And Control

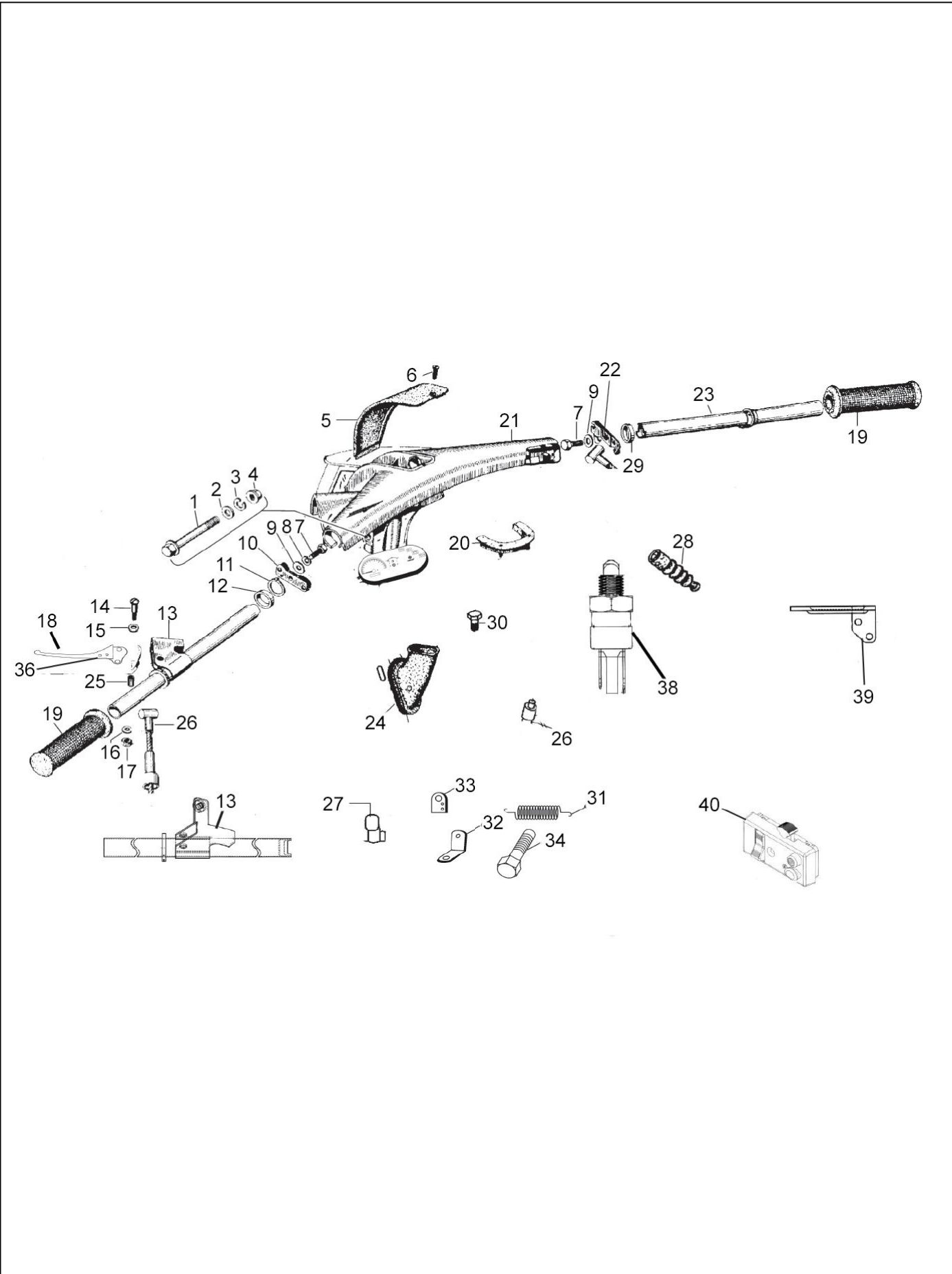


PLATE-25**Handle Bar And Control**

Fig. No.	Part No.	Description	Qty	Remarks
1	30103	HANDLE SECURING BOLT M10 X 70 CL 8.8	1	
2	16626	PLAIN WASHER (18X10.5X2)	2	
3	16410	SPRING WASHER	1	
4	21110	HEX UT M10 X 1.25 P ASSY.	1	
5	604543	COVER	1	
6	632158	CSK HEAD SCREW	1	
7	31089	HEX HEAD SCREW M6X18 CL 8.8	2	
8	16406	SPRING WASHER	2	
9	3055	RAW WASHER(808000527)	2	
10	109775	GEAR CONTROL LEVER S/A	1	
11	60565	SPRING WASHER	1	
12	109404	WASHER OF RABBET(41737)	1	
13	B024579	CHANGE CENTRAL TUBE WITH I.P.	1	
14	15618	SLT PAN HD SCREW	1	
15	16319	BENT SPRING WASHER	1	
16	16620	PLAIN WASHER	1	
17	12138	NYLOCK NUT M6	1	
18	B024585	CLUTCH LEVER AND BKT. ASSY.	1	
19	141925	HANDLE	2	
20	126902	PROTECTION COLLAR CABLE	1	
21	567567	HANDLE BAR BODY	1	
22	109635	THROTTLE CONTROL LEVER WITH IP	1	
23	587902	ACCELERATOR TUBE ASSY.	1	
24	109227	PROTECTION GROMMET	1	
25	125181	SPACER	1	
26	90511	WIRE GUIDE TERMINAL	1	
27	119278	TERMINAL	2	
28	118806	PROTECTION BELLOW	2	
29	587904	SINTERED WASHER HANDLE BAR (41769)	1	
30	31054	HEX HD. SCREW M5X10 CL8.8	1	
31	B006853	SPRING HANDLE BAR	1	
32	B006851	BRACKET	1	
33	B006852	BKT. SPRING MTG. HANDLE BAR	1	
34	30104	MOUNTING BOLT M10 X 75	1	
35	109397	TUBE WITH TERMINAL	1	
36	B024581	CLUTCH CENTRAL LEVER	1	
37	B024587	BRACKET ASSEMBLY SWITCH MOUNTING	1	
38	B024577	CLUTCH SWITCH	1	
39	B024580	SWITCH SUPPORT BKT	1	
40	B024477	HANDLE BAR SWITCH (WITH STARTER BUTTON)	1	

PLATE-26

Brake - Tandem Master Cylinder ,Brake Pipe And Hand Brakes

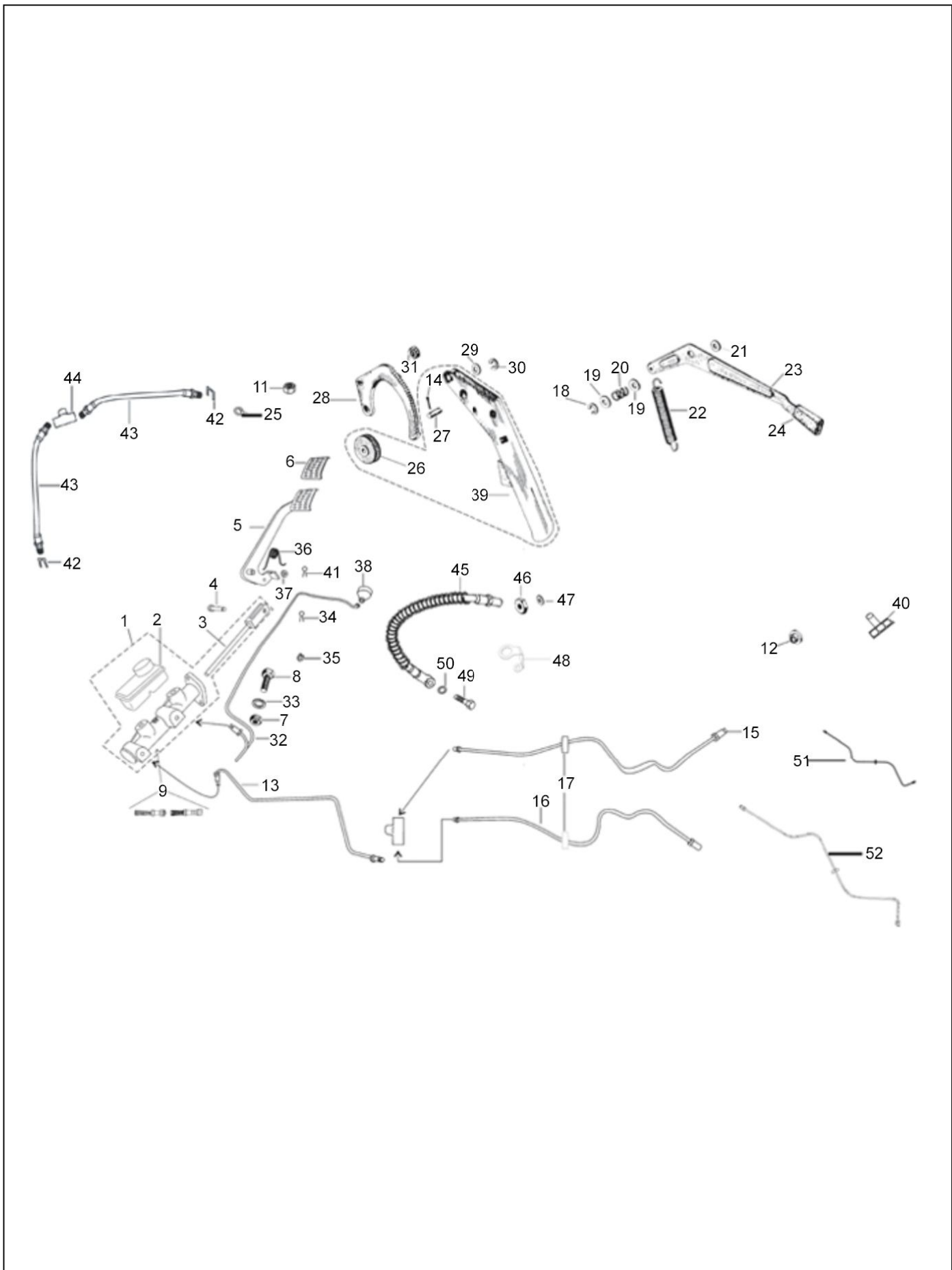


PLATE-26**Brake - Tandem Master Cylinder ,Brake Pipe And Hand Brakes**

Fig. No.	Part No.	Description	Qty	Remarks
1	604615	TANDEM MASTER CYLINDER ASSLY	1	
1	604880	TANDEM MASTER CYLINDER ASSLY.	1	
2	604877	BRAKE OIL TANK	1	
4	107038	PIN FOR LEVER	1	
5	604760	BRAKE PEDAL WITH FOOT REST ASSLY	1	
6	567461	RUBBER PROTECTION FOR PEDAL	2	
7	20108	HEX NUT M8	2	
8	31122	HEX HD. SCREW M8X30 CL 8.8	2	
9	925508	MAJOR KIT TMC (KBX 1008)	1	
10	925509	MINOR KIT TMC (KBX 1009)	1	
11	20106	HEX NUT M6	2	
12	604502	CUP RETAINING SPRING (41733)	2	
13	568162	BRAKE TUBE FOR REAR WHEEL	1	
14	567920	SPLIT PIN	3	
15	B041161	BRAKE-PUMP TUBE OF LEFT REAR WHEEL	1	
16	B041160	BRAKE-PUMP TUBE OF RIGHT REAR WHEEL	1	
17	177949	GROMMET FOR BUNTY TUBE	2	
18	5969	CIRCLIP DIA 9 E TYPE	1	
19	6173	METALLIC PLAIN WASHER (808001026)	2	
20	108785	SPRING	1	
21	108788	SPACER	1	
22	567690	REVERSE GEAR COUPLING SPRING	1	
23	125411	BACKING COMMAND LEVER	1	
24	604717	KNOB FOR R.C.	1	
25	16406	SPRING WASHER	2	
26	567898	PULLEY FOR HAND BRAKE	1	
27	567899	CLEVIS PIN	1	
28	567897	RATCHET , HAND BRAKE CONTROL	1	
29	16408	SPRING WASHER M8	1	
30	6411	EXT CIRCLIP DIA 11	1	
31	20108	HEX NUT M8	1	
32	568161	TUBE BETWEEN TMC & FRT WHEEL	1	
33	16408	SPRING WASHER M8	2	
34	567920	SPLIT PIN	1	
35	3058	PLAIN WASHER 15X8.4X1.5	1	
36	587928	FOOT BRAKE PEDAL SPRING	1	
37	229524	WASHER 21X14.3X2	1	
38	138237	CAP	1	
39	567746	HAND BRAKE CONTROL ASSLY	1	
40	119278	TERMINAL	1	
41	568737	SPLIT PIN 4 X 25 (821 0425 2 2)	2	
42	136916	PLATE FOR RETAINING THE BRAKE FLEX. PIPE	3	

PLATE-26

Brake - Tandem Master Cylinder ,Brake Pipe And Hand Brakes

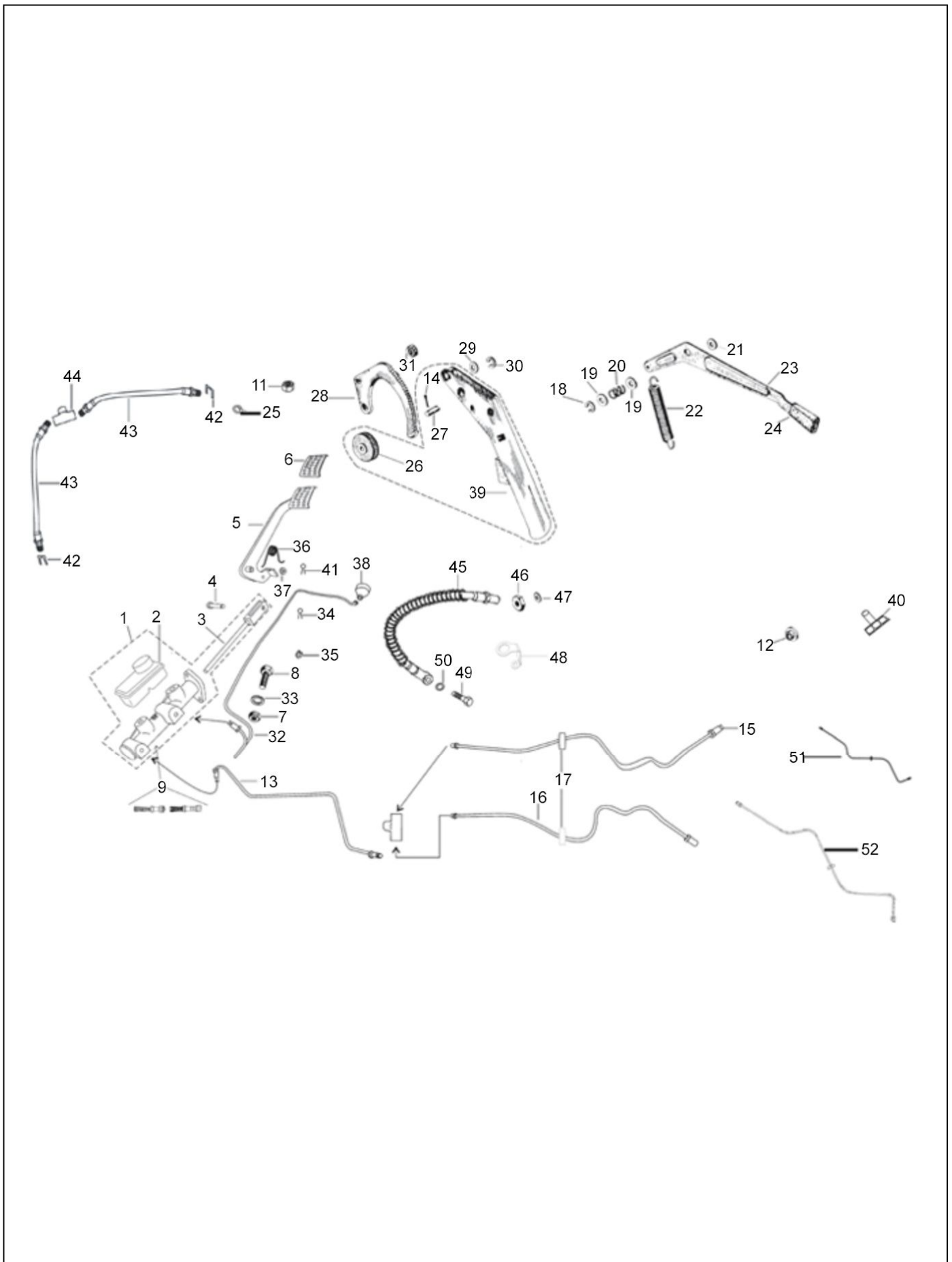


PLATE-26

Brake - Tandem Master Cylinder ,Brake Pipe And Hand Brakes

Fig. No.	Part No.	Description	Qty	Remarks
43	644814	FLEXIBLE PIPING FOR REAR WHEEL BRAKE	2	
44	643692	THREE WAY UNION	1	
45	B001581	BRAKE HOSE FR, FLEXIBLE PIPE	1	
46	21216	HEX NUT M16 X 1.5	1	
47	48197	PL WASHER 24X16X1.5	3	
48	B003228	LOCK PLATE FRONT BRAKE HOSE	1	
49	587829	BENJO BOLT	1	
50	612455	COPPER WASHER M10	1	
51	644812	BRAKE PUMP TUBE OF RIGHT REAR WHEEL	1	
52	644813	BRAKE PUMP TUBE OF LEFT REAR WHEEL	1	

PLATE-27

Electrical Devices

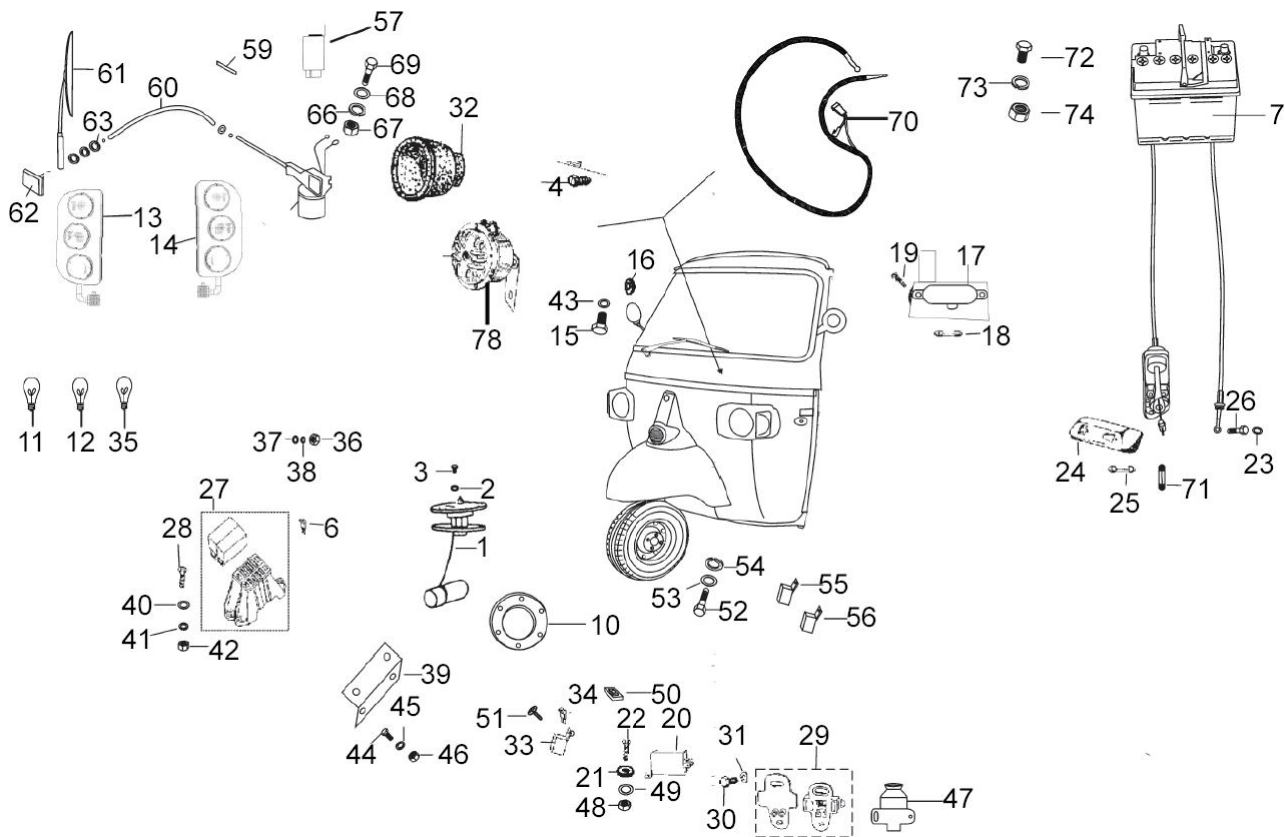


PLATE-27

Electrical Devices

Fig. No.	Part No.	Description	Qty	Remarks
1	567878R	TANK UNIT	1	
2	16405	SPRING WASHER M5	6	
3	31056	HEX HEAD SCREW M5 X 10 - CL8.8	6	
4	15640	SCREW SECURING SWITCH	1	
5	B024477	HANDLE BAR SWITCH (WITH STARTER BUTTON)	1	
6	604557	FUSE (10A)	6	
7	652253	BATTERY 12V 35AH	1	
8	-	TAIL LAMP LENSE LH	1	
9	-	TAIL LAMP LENSE RH	1	
10	925888	RUBBER GASKET FOR TANK UNIT	1	
11	181746	INDICATOR BULB 12V 10W	2	
11	-	LENS ASSY. INDICATOR LAMP	2	
12	71633	STOP AND PARKING BULB 12V 10/5 W	2	
13	B024643	TAIL LAMP ASSY. LH	1	
14	B024642	TAIL LAMP ASSY. RH	1	
15	31116	HEX HD. SCREW M8X16	1	
16	16408	SPRING WASHER M8	1	
17	150041R	CABIN LIGHT ASSY. (W/O BULB)	1	
18	71633	STOP AND PARKING BULB 12V 10/5 W	1	
19	15727	PAN SELF TAPPING SCREW	2	
20	632479	ELECTRONIC FLASHER 12V	1	
21	12546	PLAIN WASHER / MULTI TOOTH LOCK WASHER M5	1	
22	31057	HEX HEAD SCREW M5 X 14 CL 8.8	1	
23	568721	SPRING WASHER M4	2	
24	150915R	REGISTRATION PLATE LAMP ASSY	1	
25	71633	STOP AND PARKING BULB 12V 10/5 W	1	
26	8451	PAN SELF TP SCREW 6 SGX13 AB	2	
27	929910	FUSE BOX WITH FUSE	1	
28	31058	HEX HEAD SCREW M5 X 16 CC8.8	2	
29	567498R	BRAKE/REVERSE LIGHT SW (INTEGRAL CAP)-PAV	2	
30	15996	PHIL RD HD SCREW M4X12	2	
31	3054	PLAIN WASHER	2	
32	645041	HORN PROTECTION	1	
33	567582	FUSE HOLDER/FUSE HOLDER WITH FUSE (1 X 30A)	1	
34	567706	FUSE 30 A	1	
35	181747	REVERSE LAMP BULB 12V 5W	2	
36	12136	NUT / NYLOCK NUT M5	2	
37	6078	PLAIN WASHER 12 X 5.2 X 1	2	
38	16405	SPRING WASHER M5	2	
39	660109	FUSE BOX BKT	1	
40	3055	RAW WASHER(808000527)	2	
40	6078	PLAIN WASHER 12 X 5.2 X 1	2	

PLATE-27

Electrical Devices

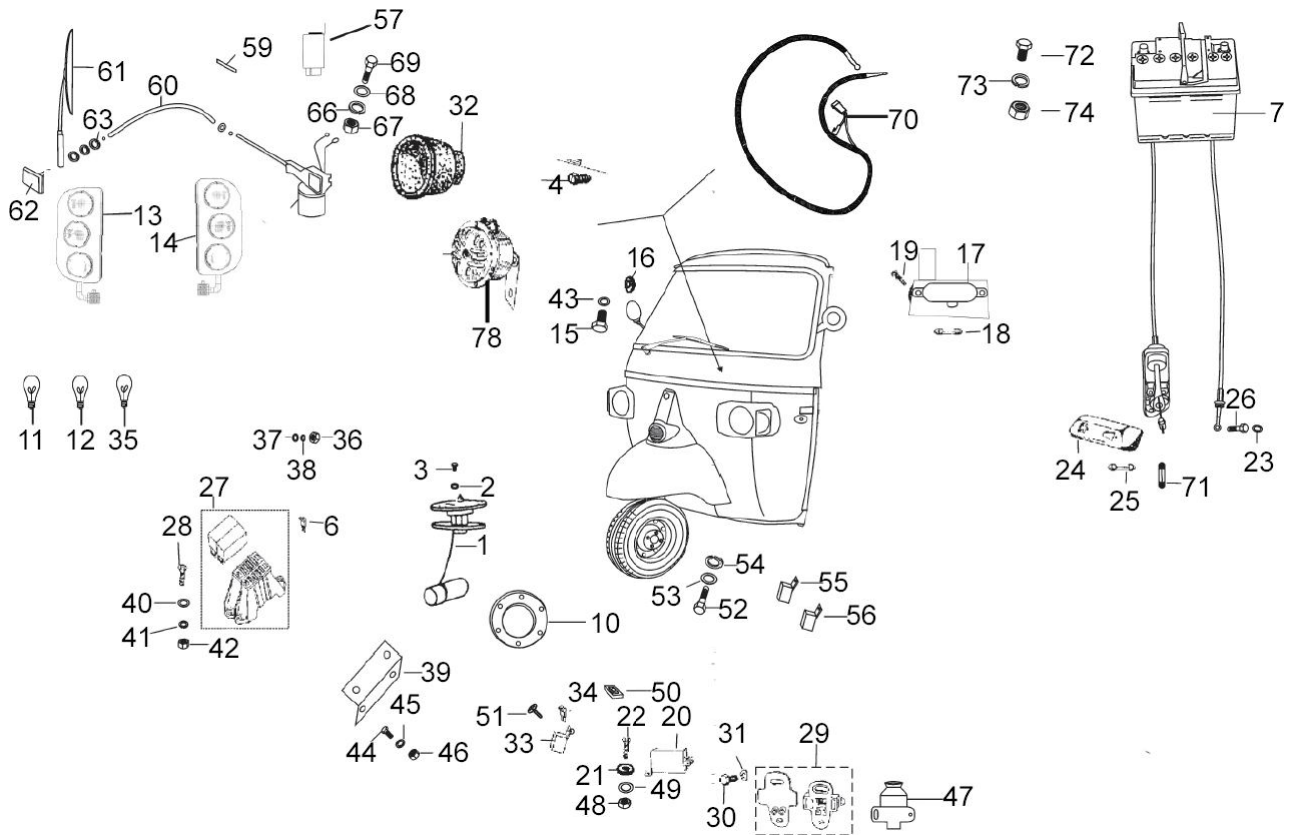


PLATE-27

Electrical Devices

Fig. No.	Part No.	Description	Qty	Remarks
41	6965	SPRING WASHER	2	
42	20105	HEX NUT M5	2	
43	3058	PLAIN WASHER 15X8.4X1.5	1	
44	31058	HEX HEAD SCREW M5 X 16 CC8.8	2	
45	6965	SPRING WASHER	2	
46	20105	HEX NUT M5	2	
47	567747	STOP (BRAKE) SWITCH PROTECTION/PACKING BOOT	1	
48	20105	HEX NUT M5	1	
49	3055	RAW WASHER(808000527)	1	
50	568103	MTG BKT ONE WAY FUSE - HOLDER	1	
51	568692	PAN SELF TAP SCREW 6SG X 16AB	1	
52	31088	HEX HD SCREW M6 X 16 CL 8.8 (811061623)	1	
53	3056	PLAIN WASHER	1	
54	16406	SPRING WASHER	1	
55	680166	SAFETY STARTER RELAY	1	
56	B003727	RELAY 12V-NC - CNG 587671R	1	
57	569166	WIPER MOTOR MOUNTING BRACKET	1	
58	632284	WIPER MOTOR ASSY. (RACK TYPE)	1	
59	604506	BUNDY TUBE OUTER	1	
60	632285	BUNDY TUBE (MOTOR TO WHEEL BOX)	1	
61	632292	WIPER ARM & BLADE ASSY	1	
62	569197	WHEEL BOX ASSY. (MOD.)	1	
63	569165	DOME NUT	1	
64	569177	STRAP ASSY FOR WIPER MOTOR (N.I.)	1	
65	569178	RUBBER PAD FOR WIPER MOTO (N.I.)	1	
66	16406	SPRING WASHER	1	
67	20106	HEX NUT M6	6	
68	3056	PLAIN WASHER	6	
69	31088	HEX HD SCREW M6 X 16 CL 8.8 (811061623)	6	
70	B024948	BATTER	1	
71	925786	ECU - FUSE (2A) (N.I.)	1	
72	31088	HEX HD SCREW M6 X 16 CL 8.8 (811061623)	2	
73	16406	SPRING WASHER	2	
74	20106	HEX NUT M6	2	
75	632995	WIPER MOTOR ASSY. WITH MTG. BKT. (N.I.)	1	
76	643616	CABIN LAMP (N.I.)	1	
77	B024187	LENS ASSY REVERSE LAMP	1	
78	604667	HORN SEALED TYPE DIA.75	1	

PLATE-28
Electrical Devices

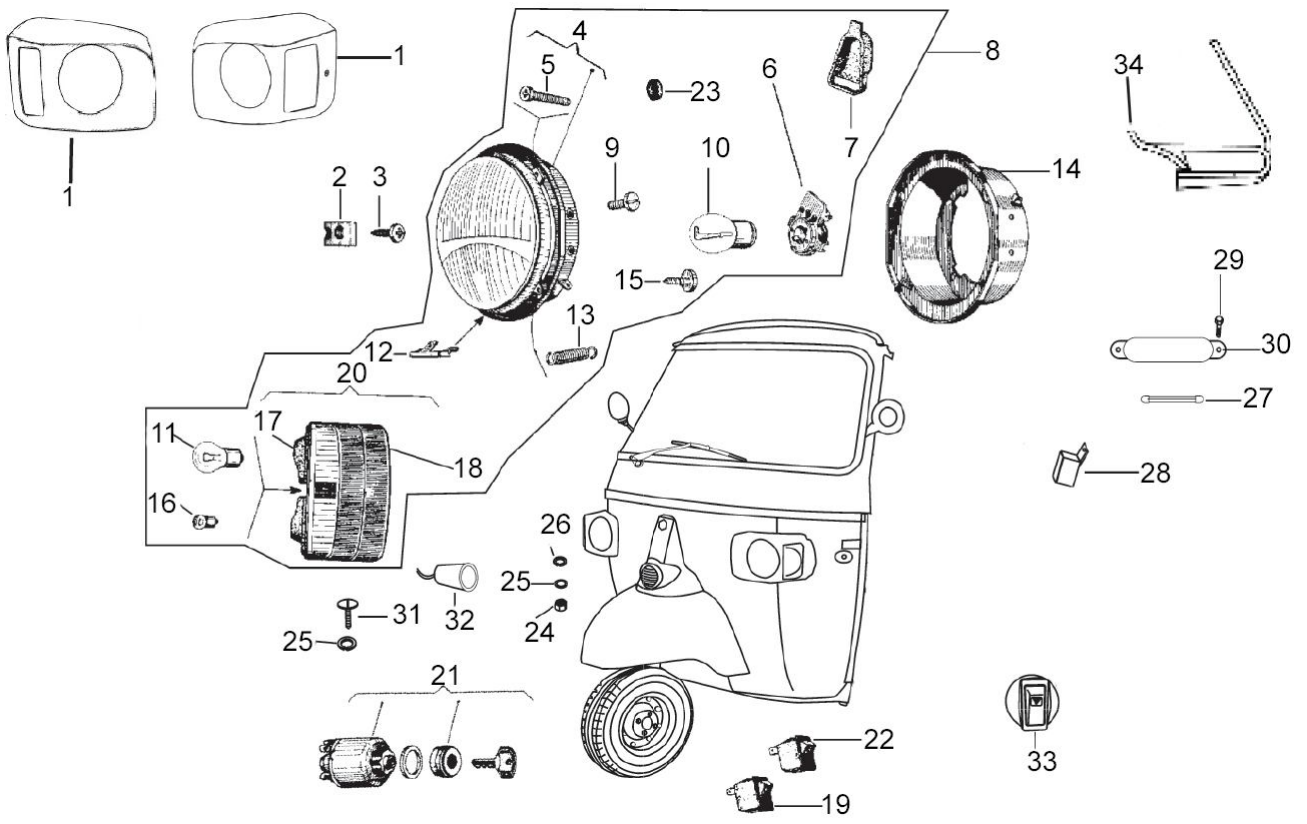


PLATE-28**Electrical Devices**

Fig. No.	Part No.	Description	Qty	Remarks
1	B025600	SEAT OF LAMP RIGHT	1	
1	B025601	SEAT OF LAMP LEFT	1	
2	8080	SPRING PLATE	2	
3	8455	SCREW/PANSELF TAPPING SCREW	2	
4	124449	HEAD LAMP	4	
5	15641	HEAD LAMP ADJUSTING SCREW	4	
6	114121	BULB HOLDER / HOLDER FRONT LAMP	2	
7	177559	CAP	2	
8	632477R	ASSY. HEAD LAMP WITH LATERAL LAMP RH	1	
8	632478R	ASSY. HEAD LAMP WITH LATERAL LAMP LH	1	
9	8432	SCREW FOR FIXING PARKING LAMP ASSY./PAN SEY TP SC	2	
10	219528	BULB 12V 35/35W	2	
11	925581	INDICATOR LIGHT BULB 12V 21W AMBER COLOUR	1	
12	119735	PROTECTION SECURING SPRING/SPR. FOR PROTECTION	4	
13	127179	SPRING FOR HEAD LAMP / SPRING	2	
14	185843	HEAD LAMP SUPPORT/RING	2	
15	15900	HEAD LAMP SECURING SCREW/PAN SELF TAP SCREW	6	
16	567593	BULB 12V 5W / LAMP 4W	2	
17	127177	F/PARKING LAMP BODY RH	1	
17	127176	F/PARKING LAMP BODY LH	1	
18	925579	H.L. LATERAL LAMP LENSE RH - NEOLITE	1	
18	925580	H.L. LATERAL LAMP LENSE LH - NEOLITE	1	
18	925578	H.L. LATERAL LAMP LENSE LH - LUMAX	1	
18	925577	H.L. LATERAL LAMP LENSE RH - LUMAX	1	
19	587670R	SWITCH 3 POSITION	1	
20	B024642	TAIL LAMP ASSY. RH	1	
20	B024643	TAIL LAMP ASSY. LH	1	
20	925588	LATERAL LAMP ASSY. RH (LUMAX)	1	
20	925598	LATERAL LAMP ASSY. L H (LUMAX)	1	
21	B024532	KEY IGNITION SWITCH W/COUPLER (PAVNA)	1	
22	587974R	WIPER MOTOR SWITCH/ SWITCH WIPER MOTOR	1	
23	119975	GROMMET	2	
24	20105	HEX NUT M5	2	
25	3055	RAW WASHER(808000527)	2	
26	16405	SPRING WASHER M5	2	
27	71633	STOP AND PARKING BULB 12V 10/5 W	1	
28	587671R	4 ST RELAY SOLENOID	1	
29	15727	PAN SELF TAPPING SCREW	2	
30	567573R	ENGINE COMPARTMENT LAMP ASSY. W/O BULB	1	
31	661925	PHILIP PAN HEAD SCREW (M5 X 0.8 X 1.6)	4	
32	645153	MOBILE CHARGER W/O LAMP	1	
33	660826R	HAZARD WARNING SWITCH WITH CROWN CAP (12V)(VE)	1	

PLATE-28
Electrical Devices

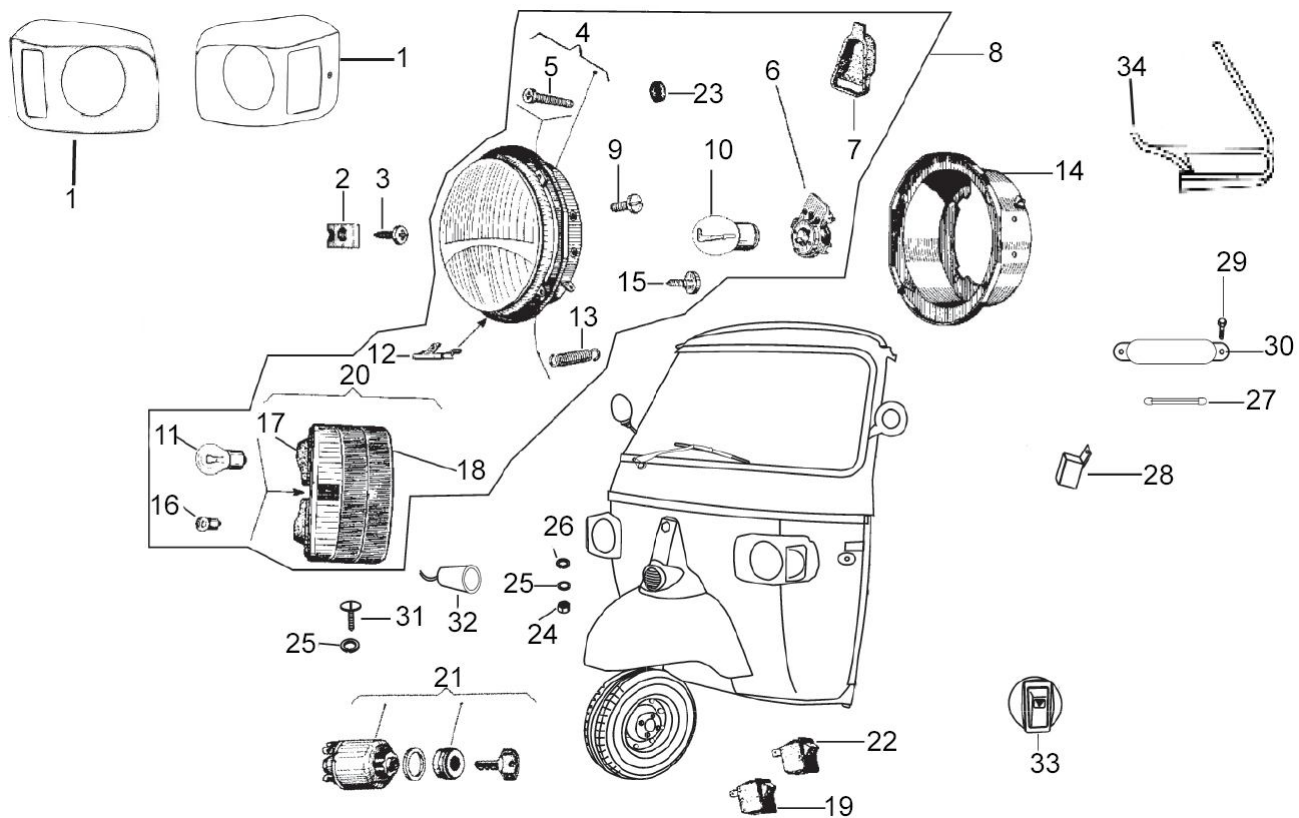


PLATE-28

Electrical Devices

Fig. No.	Part No.	Description	Qty	Remarks
34	658810	SPRING FIXING ON RIM HEAD LIGHT	1	

PLATE-29

Passanger Auto Rikshaw Body

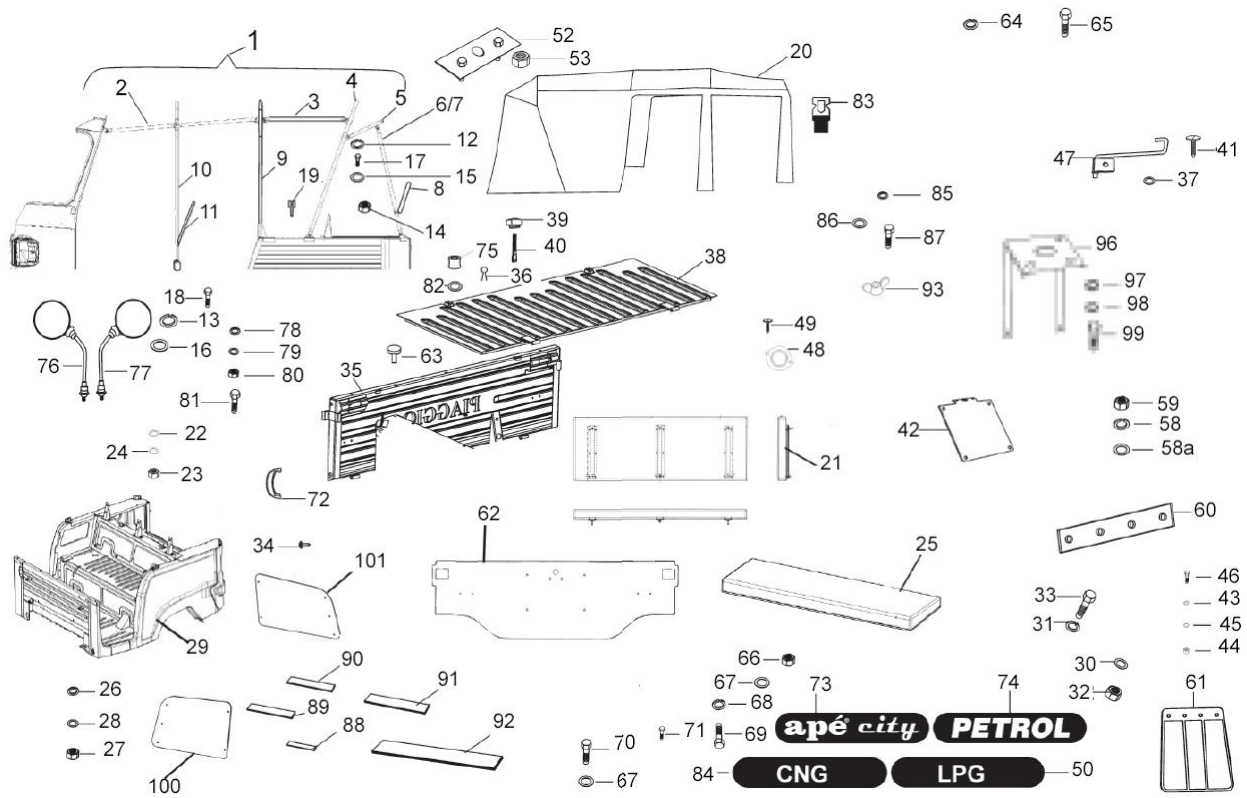


PLATE-29**Passanger Auto Rikshaw Body**

Fig. No.	Part No.	Description	Qty	Remarks
1	B024345	HOOD FRAME ASSEMBLY (PETROL)	1	
1	B001431	HOOD FRAME ASSEMBLY (PETROL)	1	
2	B024318	PIPE SIDE FRONT	2	
2	B001918	PIPE SIDE FRONT	2	
3	B041186	HORRIZINTAL PIPE NO. 1	2	
3	B001445	HORRIZINTAL PIPE NO. 1	2	
4	B024313	HOOD FRAME REAR SECTION ASSLY	1	
4	B001432	HOOD FRAME REAR SECTION ASSLY	1	
5	B024825	REAR MOST FRAME ASSLY	1	
5	B002303	REAR MOST FRAME ASSLY	1	
6	B041182	VERTICAL PIPE BODY REAR CORNER ASSLY LH	1	
6	B002305	VERTICAL PIPE BODY REAR CORNER ASSLY LH	1	
7	B041184	VERTICAL PIPE BODY REAR CORNER ASSLY RH	1	
7	B002309	VERTICAL PIPE BODY REAR CORNER ASSLY RH	1	
8	B041187	PIPE LUGGAGE COMPARTMET	1	
8	B002307	PIPE LUGGAGE COMPARTMENT	1	
9	B024316	PIPE S/A - MIDDLE	1	
9	B001434	PIPE S/A - MIDDLE	1	
10	B024726	PIPE S/A - BODY HEADER	1	
10	B001433	PIPE S/A - BODY HEADER	1	
11	B024805	BACK REST SUPPORT TUBE ASSLY	1	
11	B003897	BACK REST SUPPORT TUBE ASSLY	1	
12	16406	SPRING WASHER	22	
13	16408	SPRING WASHER M8	6	
14	20206	THIN HEX. NUT (800000624)	20	
15	3056	PLAIN WASHER	22	
16	3058	PLAIN WASHER 15X8.4X1.5	20	
17	31088	HEX HD SCREW M6 X 16 CL 8.8 (811061623)	22	
18	31118	SCREW M8X20	2	
19	568096	SCREW HEAD CAP SCREW M8X20 (819082037)	4	
20	B002261	SOFT TOP ASSY (CANVAS) - PETROL	1	
20	B006332	SOFT TOP ASSY. (CNG/LPG)	1	
21	B024345	HOOD FRAME ASSEMBLY (PETROL)	1	
22	16408	SPRING WASHER M8	4	
23	20108	HEX NUT M8	4	
24	3058	PLAIN WASHER 15X8.4X1.5	4	
25	B024516	PASS DRIVER SEAT ASSY (CNG/LPG)	1	
26	16408	SPRING WASHER M8	2	
27	20108	HEX NUT M8	2	
28	3058	PLAIN WASHER 15X8.4X1.5	2	
29	B024364GY	PASS. BODY ASSY GY - PETROL	1	
29	B024364BY	PASS. BODY ASSY BY - PETROL	1	

PLATE-29

Passanger Auto Rikshaw Body

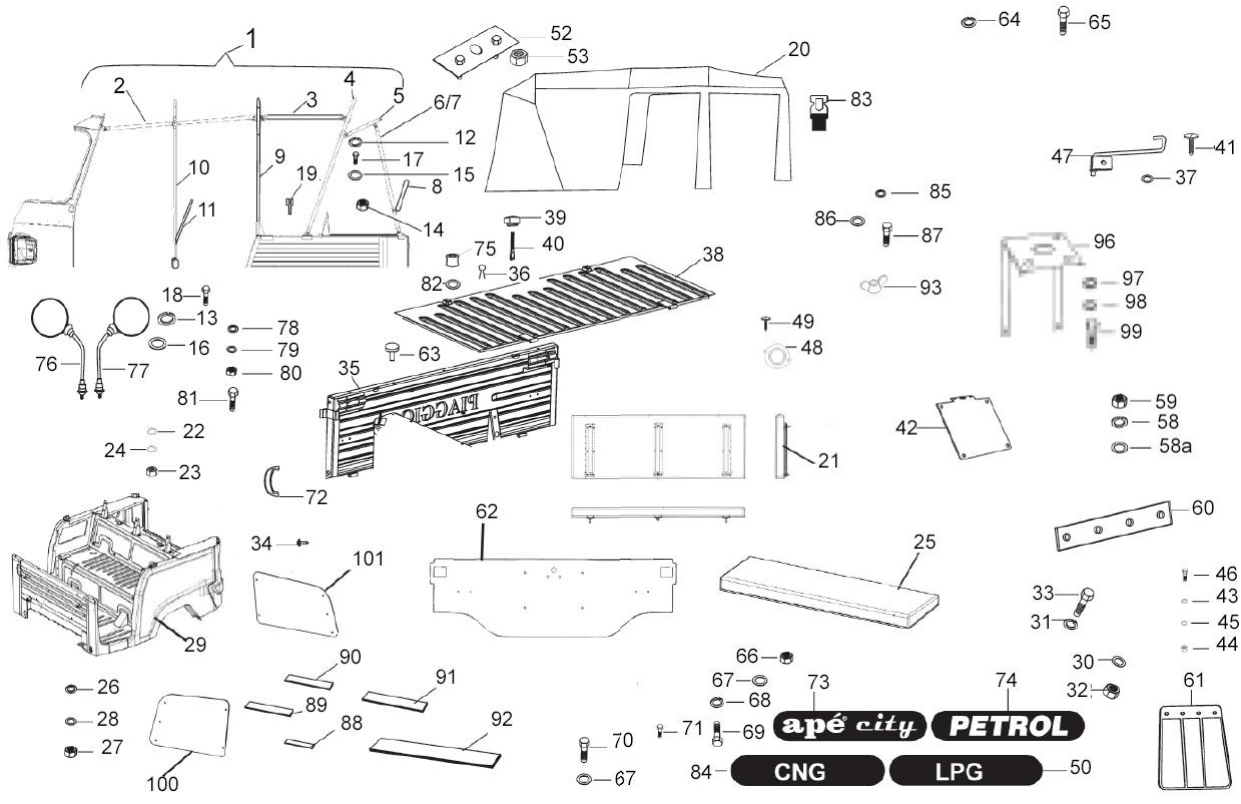


PLATE-29**Passanger Auto Rikshaw Body**

Fig. No.	Part No.	Description	Qty	Remarks
29	B024835EG	PASSENGER BODY EG - (CNG/LPG)	1	
29	B024835GY	PASSENGER BODY GY - (CNG/LPG)	1	
29	B024835BY	PASSENGER BODY BY - (CNG/LPG)	1	
30	13880	METALIC PLAIN WASHER	8	
31	16405	SPRING WASHER M5	8	
32	20105	HEX NUT M5	8	
33	31057	HEX HEAD SCREW M5 X 14 CL 8.8	8	
34	660168	PAN SELF TP. SCREW 10 SGX13AB	12	
35	B024402	TAIL GATE ASSY.	1	
36	B003422	SPLIT PIN 2.5 X 25	2	
37	16670	PLAIN WASHER 12X4.5X1	1	
38	B001636	ENGINE COMP. DOOR ASSY. (PETROL)	1	
38	B002210	ENGINE COMP. DOOR ASSY. (CNG/LPG)	1	
39	B001423	KNOB REAR DOOR	2	
40	B001402	SCREW FOR DOOR KNOB	2	
41	15911	PAN SELF TAP SCREW 8SG X 16 AB	1	
42	643661	LICENSE PLATE MTG. BKT.	1	
43	16405	SPRING WASHER M5	4	
44	20105	HEX NUT M5	4	
45	3055	RAW WASHER(808000527)	4	
46	31058	HEX HEAD SCREW M5 X 16 CC8.8	4	
47	B001887	STOPPER ASSLY.	1	
48	B003076	COVER SHOCKER MTG. HOLE	2	
49	8451	PAN SELF TP SCREW 6 SGX13 AB	4	
50	B003657	PLATE LPG	1	
52	B002208	STRAP WITH PIN SPARE WHEEL MTG.	1	
53	20108	HEX NUT M8	2	
58	16406	SPRING WASHER	12	
58a	13880	METALIC PLAIN WASHER	12	
59	20106	HEX NUT M6	12	
60	B001788	CLAMP MUDFLAP REAR	2	
61	B001789	MUDFLAP MUDGAURD REAR	2	
62	B025672	REAR VISUAL BARRIER ASSY.	1	
63	568717	GROMMET ENGINE COMP. DOOR	7	
64	16408	SPRING WASHER M8	2	
65	31116	HEX HD. SCREW M8X16	AR	
66	20108	HEX NUT M8	2	
67	116831	PLAIN METALLIC WASHER (826000828)	4	
68	16408	SPRING WASHER M8	6	
69	30072	HEX HEAD BOLT M8 X 35	2	
70	30074	HEX HEAD BOLT M8 X 40 CL 8.8	2	
71	31116	HEX HD. SCREW M8X16	AR	

PLATE-29

Passanger Auto Rikshaw Body

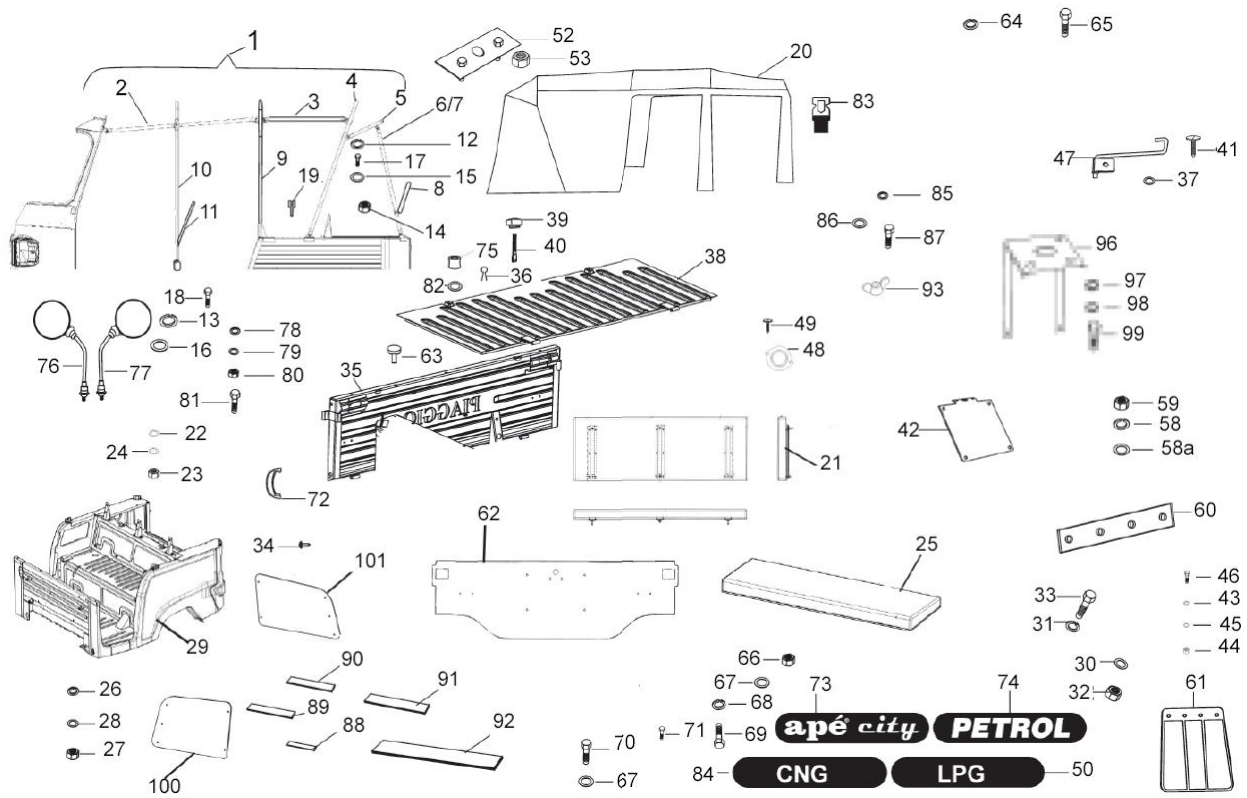


PLATE-29**Passanger Auto Rikshaw Body**

Fig. No.	Part No.	Description	Qty	Remarks
72	B003030	COVER TAIL LAMP GAP	2	
73	B003358	PLATE APECITY - STICKER	1	
74	B003652	PLATE PETROL	1	
75	B003654	RUBBER BUSH ENGINE DOO	2	
76	B001948R	REAR VIEW MIRROR LH	1	
77	B001949R	REAR VIEW MIRROR RH	1	
78	13861	PLAIN WASHER 20X8.2X2.5	2	
79	12540	SPRING WASHER M8	2	
80	20108	HEX NUT M8	2	
81	30072	HEX HEAD BOLT M8 X 35	2	
82	16670	PLAIN WASHER 12X4.5X1	2	
83	B003502	FEMALE BUTTON ASSY.	AR	
84	B003658	PLATE CNG	1	
85	16408	SPRING WASHER M8	4	
86	3058	PLAIN WASHER 15X8.4X1.5	4	
87	31116	HEX HD. SCREW M8X16	4	
88	B006598	BEADING (RUBBER PACKING LH/RH)	4	
89	B006599	BEADING (RUBBER PACKING REAR LH/RH)	2	
90	B006892	BEADING	2	
91	B006600	BEADING (RUBBER PACKING REAR MIDDLE)	1	
92	B006792	BEADING (INSULATION ENG. COMP. COVER)	2	
93	B006593	WING NUT M6	2	
94	B006949	TAIL GATE LOCK W/O KEY	1	
95	B024403	PANEL FOR TAIL GATE	1	
96	B002334	FARE METER MTG. BKT.	1	
97	16408	SPRING WASHER M8	4	
98	3058	PLAIN WASHER 15X8.4X1.5	4	
99	31118	SCREW M8X20	4	
100	B041118	TRIM PAD SIDE PANEL	2	
101	B041217	TRIM PAD SIDE PANEL LH	1	
102	B024512	PASSENGER BACKREST	1	
103	B003649	FRONT CARPET (PETROL/LPG)	1	N.I.
104	B001480	CARPET PASS FOOT REST	1	N.I.

PLATE-30
Wiring Harness

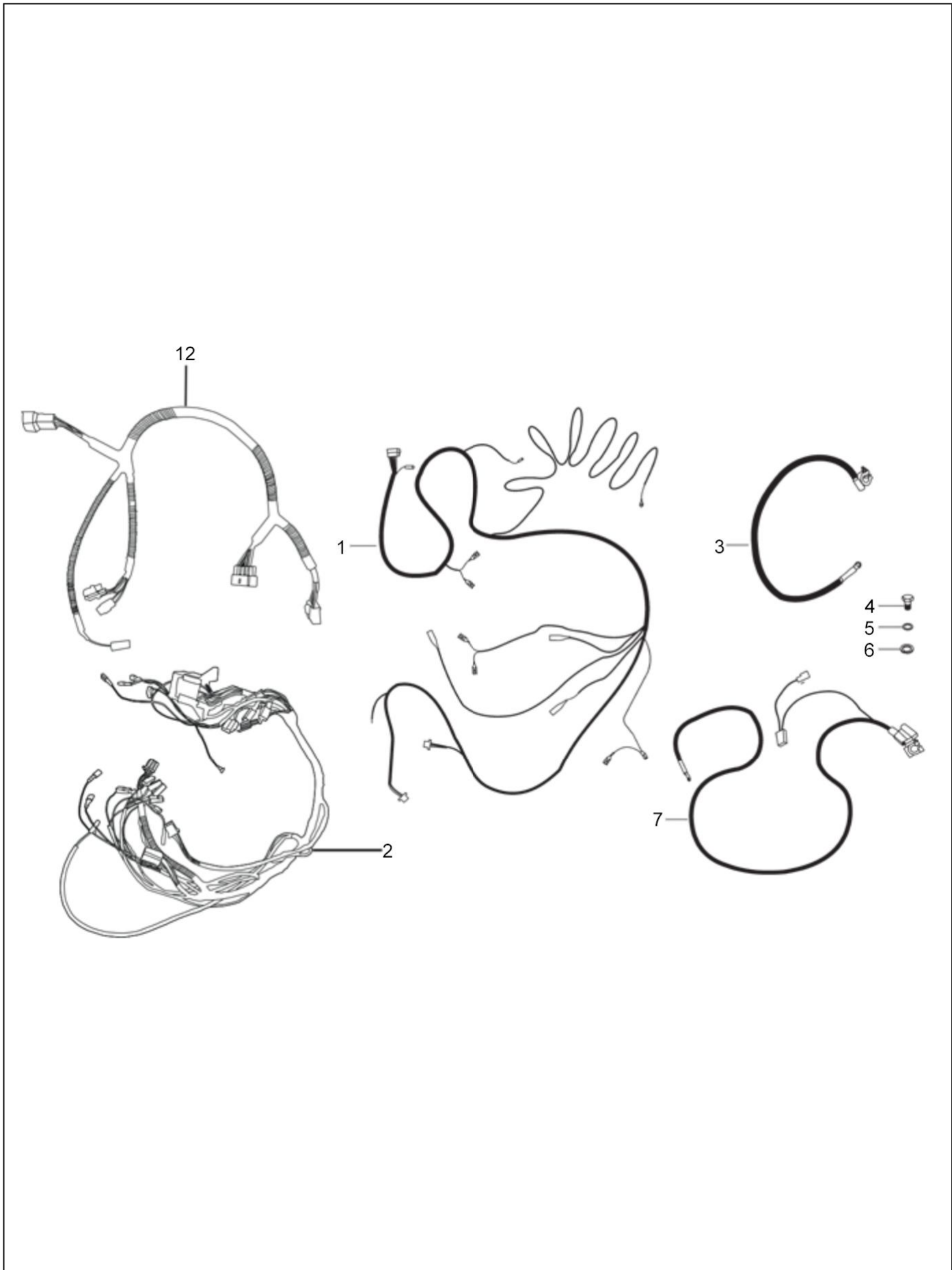


PLATE-30

Wiring Harness

Fig. No.	Part No.	Description	Qty	Remarks
1	B023986	WIRING HARNESS - MAIN (PETROL)	1	
1	B041918	W/HS MAIN CNG	1	
1	B041919	W/HS MAIN LPG	1	
2	B024554	WIRING HARNESS INSTRUMENT PANEL-PETROL	1	
2	B024555	WIRING HARNESS INSTRUMENT PANEL (APE CITY GAS)	1	
3	660820	BATTERY CABLE NEGATIVE	1	
4	31088	HEX HD SCREW M6 X 16 CL 8.8 (811061623)	1	
5	3056	PLAIN WASHER	1	
6	16406	SPRING WASHER	1	
7	B002183	BATTERY +VE CABLE-CUT STARTER MOTOR (LPG/CNG)	1	
7	B041880	BATTERY CABLE +VE	1	
7	B024949	BATTERY CABLE POSITIVE NO.1(PETROL / LPG/CNG)	1	
7	B002183	BATTERY +VE CABLE-CUT STARTER MOTOR (LPG/CNG)	1	
8	B003110	PIG TAIL FUEL TANK (N.I.)	1	
9	661492	PIG TAIL CABIN LAMP (PASS UPGRADE)(N.I.)	1	
10	B024271	LPG KIT HARNESS (VANAZ APE CITY SM) - (N.I.)	1	
11	B024270	WIRE HARNESS VANAZ APE CITY - (N.I.)	1	
12	B023968	ENGINE WIRING HARNESS (PET) (CNG&LPG)	1	

PLATE-31
Front Brake Assembly

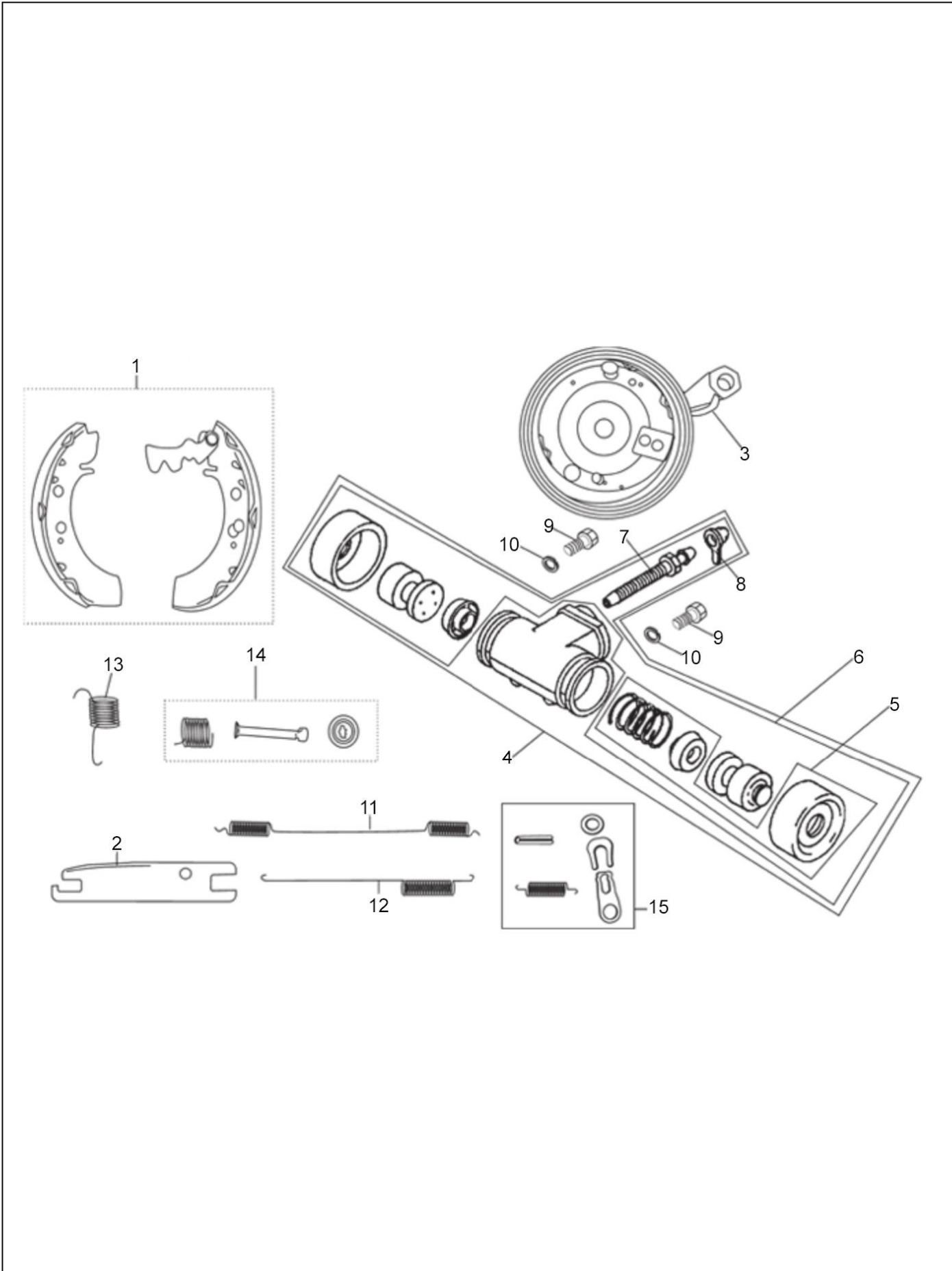


PLATE-31**Front Brake Assembly**

Fig. No.	Part No.	Description	Qty	Remarks
1	B003326	FRONT BRAKE SHOE KIT	1	
2	B003008	STRUT FRONT	1	
3	B024071	BRACKET WHEEL CARRIER WITH IP	1	
4	20108	HEX NUT M8	1	
5	B003325	MINOR KIT WHEEL CYLINDER	1	
6	B003324	MAJOR KIT WHEEL CYLINDER	1	
7	B003296	BLEEDER SCREW	1	
8	B003295	BLEEDER CAP	1	
9	63440	BOLT M6X12	2	
10	12536	SPRING WASHER	2	
11	16405	SPRING WASHER M5	1	
12	B003003	SHOE RETURN SPRING (LOWER)	1	
13	B003002	STRUT SPRING	1	
14	B003327	SHOE HOLD DOWN KIT	1	
15	B006509	CLIP & PIN KIT	1	

PLATE-32

Rear Brake Assembly

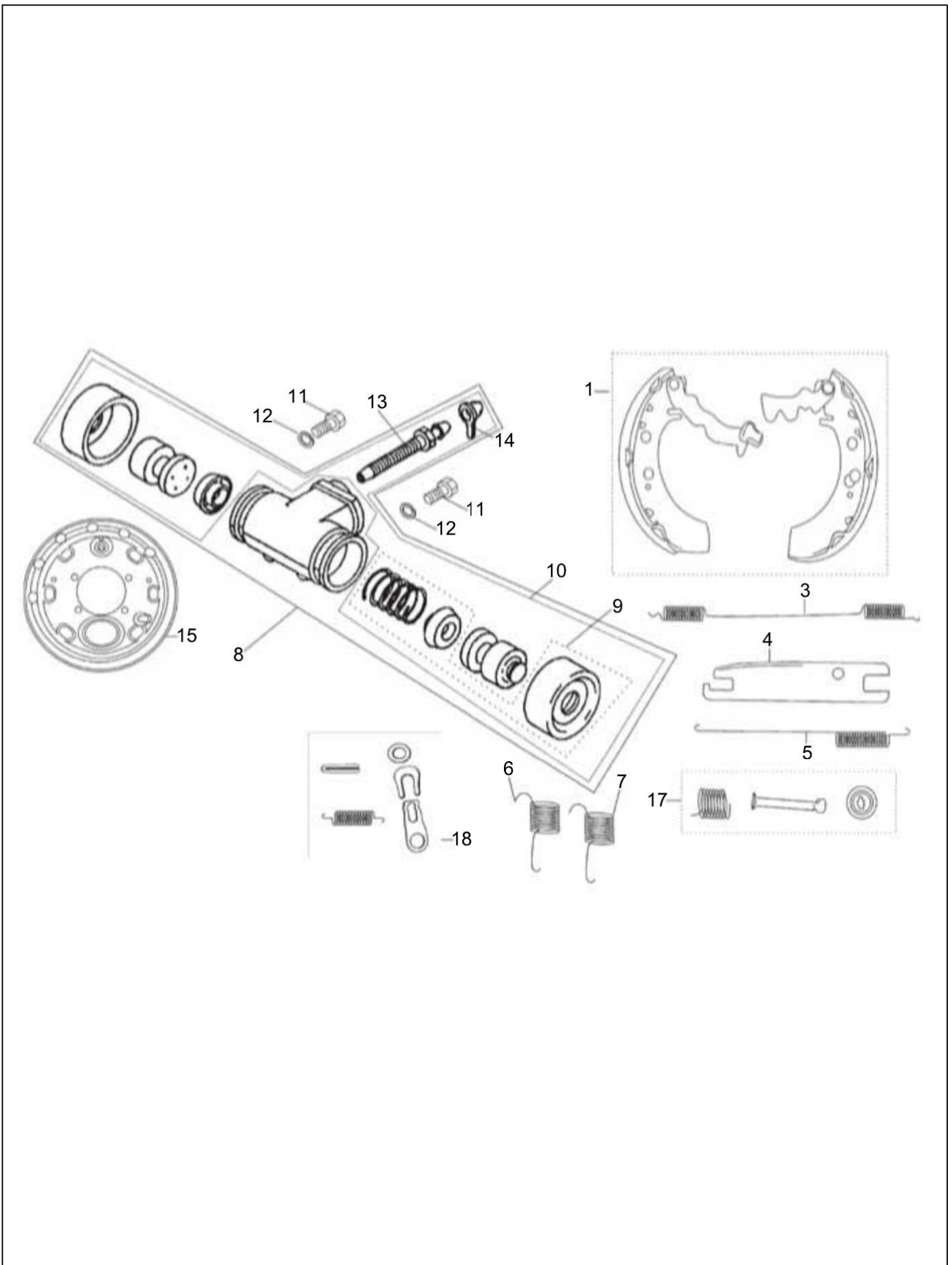


PLATE-32**Rear Brake Assembly**

Fig. No.	Part No.	Description	Qty	Remarks
1	B003330	REAR BRAKE SHOE KIT LH	1	
2	B003331	REAR BRAKE SHOE KIT RH (NI)	1	
3	B003004	SHOE RETURN SPRING (UPPER)	2	
4	B003012	STRUT REAR	2	
5	B003003	SHOE RETURN SPRING (LOWER)	2	
6	B003011	STRUT SPRING RH	1	
7	B003002	STRUT SPRING	1	
8	B003014	WHEEL CYLINDER ASSY. DIA.25.4 MM	1	
9	925574	MINOR KIT WHEEL CYLINDER	1	
10	B003328	MAJOR KIT WHEEL CYLINDER	1	
11	63440	BOLT M6X12	4	
12	12536	SPRING WASHER	4	
13	B003300	BLEEDER SCREW	2	
14	B003299	BLEEDER CAP	2	
15	B001228	BRAKE PLATE ASSY. RH	1	
16	B001225	BRAKE PLATE ASSY. LH (N.I.)	1	
17	B003327	SHOE HOLD DOWN KIT	1	
18	B006509	CLIP & PIN KIT	1	
18	B006510	CLIP & PIN KIT RH	1	

PLATE-33
Cables

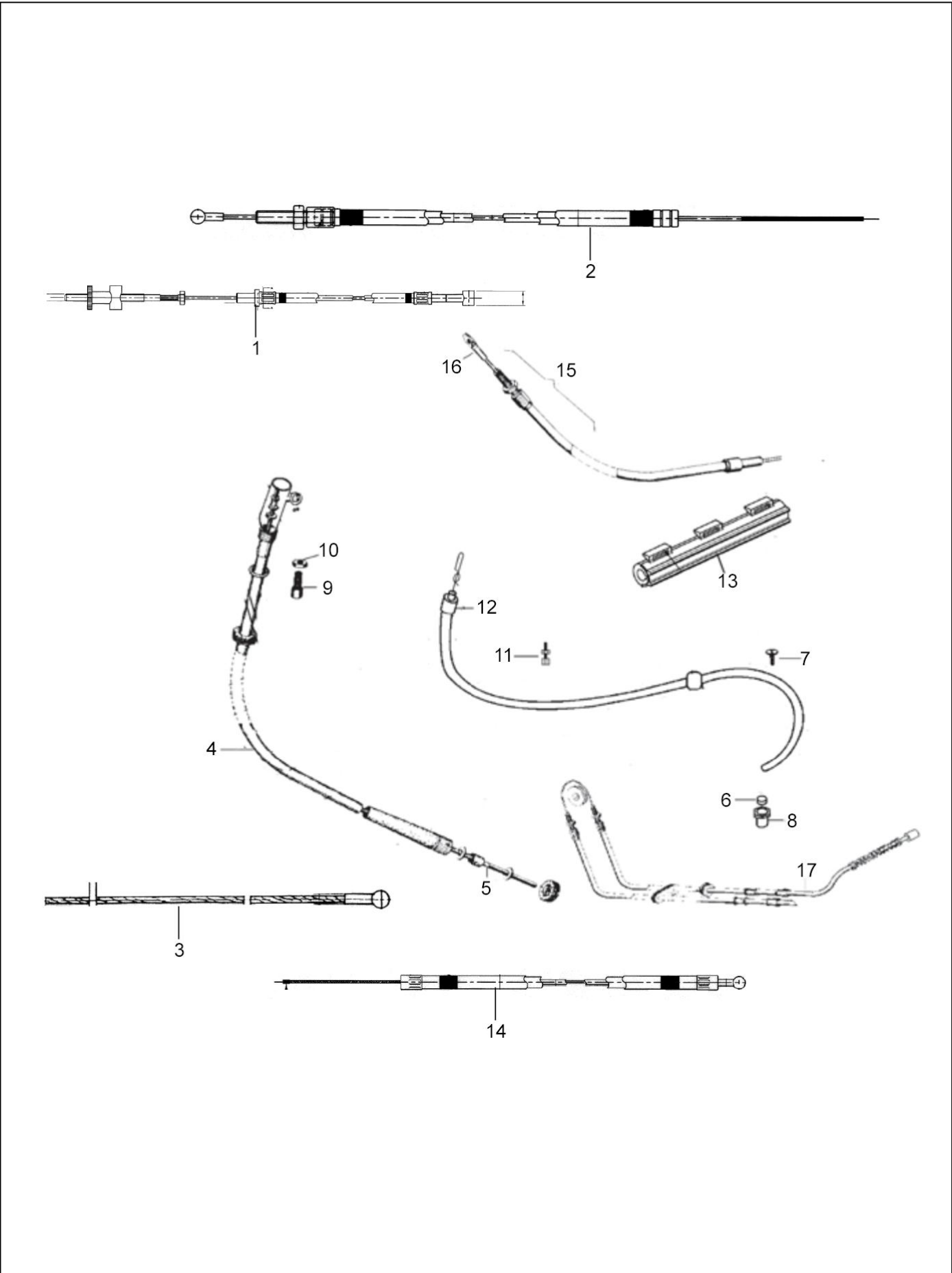


PLATE-33

Cables

Fig. No.	Part No.	Description	Qty	Remarks
1	B023919	CLUTCH CONTROL TRANSMISION ASSY.	1	
2	B023912	CABLE GEAR CONTROL ASSY. (BLACK)	1	
3	B023915	CABLE GEAR CONTROL ASSY NO. 2 (WHITE)	1	
3a	B023916	INNER GEAR CONTROL CABLE (BLACK/WHITE)	2	
4	645124	SPEEDO CABLE	1	
5	587812	TRANSMISSION CABLE (INNER) FOR ODOMETER	1	
6	150418	SMALL DISC THK 1.8	3	
7	150417	SCREW TERMINAL	1	
8	604560	SCREW TERMINAL ASSY. - GEAR CONTROL	2	
9	197071	ADJUSTER SCREW M6	2	
10	20106	HEX NUT M6	2	
11	158495	ADJUSTER SCREW WITH NUT	1	
12	B023909	CHOKE CONTROL CABLE ASSY	1	
13	B024774	SLEEVE FOR ACC. AND CHOKE CABLE	2	
14	B023918	GASOLINE CONTROL TRANSMISSION ASSY.	1	
15	587633	CABLE, REVERSE GEAR CONTROL ASSY.	1	
16	587822	CABLE, REVERSE GEAR WITH TERMINALS.	1	
17	B002338	PARKING BRAKE TRANSMISSION SUB ASSY.	1	
18	B018546	ACCELERATOR CONTROL TRASMISSION SIDE CAR (N.I.)	1	
19	B018547	CHOKE CONTROL TRASMISSION SIDE CARBURETOR (N.I)	1	

PLATE-34
CNG Kit

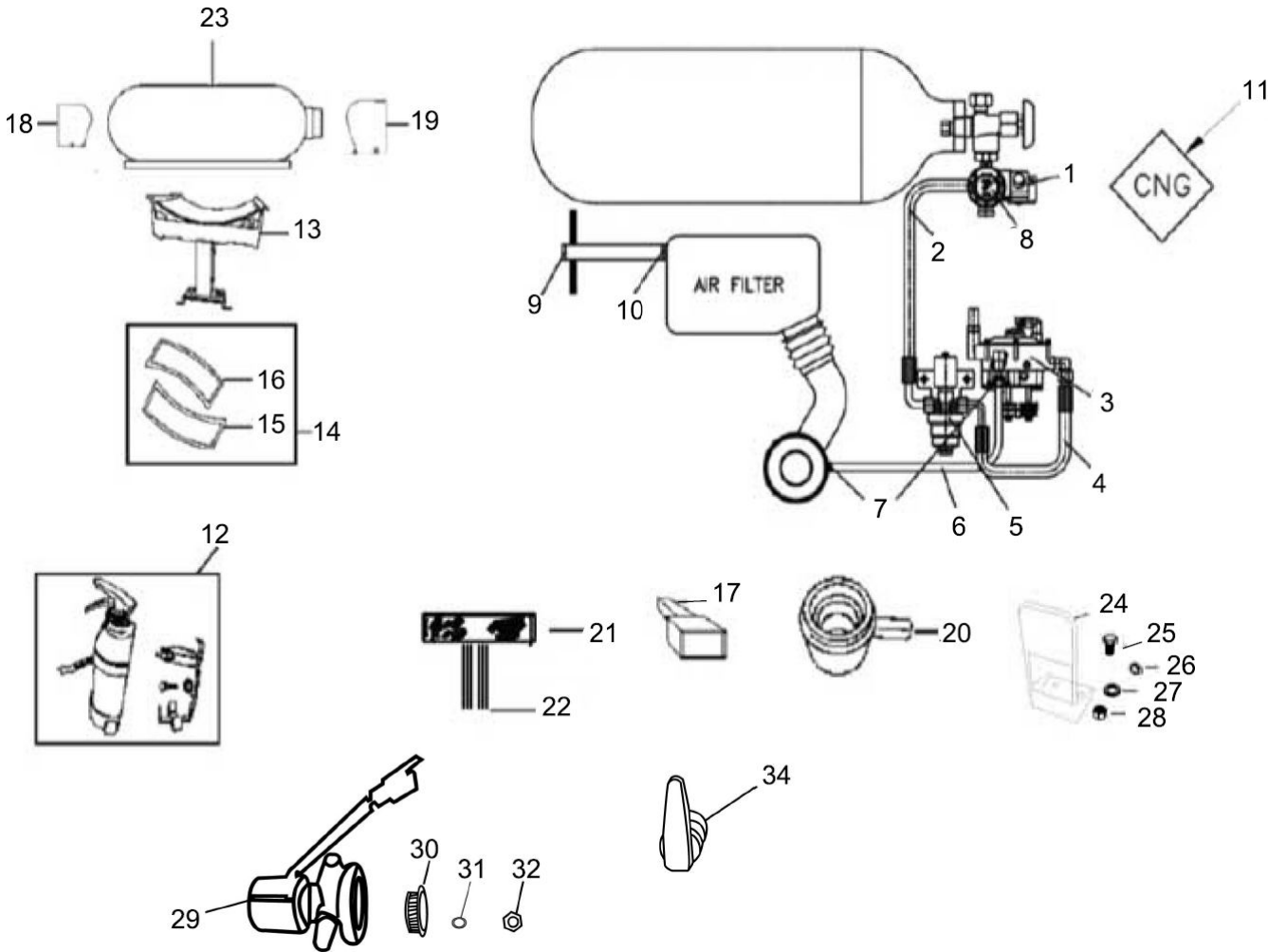


PLATE-34

CNG Kit

Fig. No.	Part No.	Description	Qty	Remarks
1	B024131	FIRST STAGE REDUCTION UNIT (HPR)	1	
2	932248	FLEXIBLE HOSE ASSY (HPR- FILTER SOL. VALVE)	1	
3	B024129	ASSEMBLY CNG REGULATOR	1	
4	932252	HOSE SOLENOID TO LPR	1	
5	932250	FILTER SOL. VALVE WITH BRACKET	1	
6	932253	HOSE LOW PRESSURE CNG	1	
7	932254	CLIP	2	
8	920072	CNG PRESSURE GAUGE WITH SENSOR	1	
9	932247	RESTRICTOR -1 FOE CNG/LPG	1	
10	932246	RESTRICTOR -2 FOE CNG	1	
11	643850	STICKER	2	
12	643655R	FIRE EXTINGUISHER	1	
13	659870	CENTRAL MTG BRACKET	2	
14	604958	STRAPS ASSY.	2	
15	604863	UPPER STRAPS ASSY.	2	
16	632185	LOWER STRAPS ASSY.	2	
17	925786	ECU - FUSE (2A) (N.I)	1	
18	B024692	GAS CYLINDER COVER LH ASSY	1	
19	B024694	GAS CYLINDER COVER RH ASSY	1	
20	932244	MIXTURE ASSY.	1	
21	932277	ECU	1	
22	932245	KIT WIRING HARNESS	1	
23	B024601R	GAS CYLINDER 30LTR.	1	
24	632134	PROTECTION FOR CYL. VALVE CNG	1	
25	31118	SCREW M8X20	4	
26	3058	PLAIN WASHER 15X8.4X1.5	4	
27	16408	SPRING WASHER M8	4	
28	20108	HEX NUT M8	4	
29	932273	COIL ASSEMBLY	1	
30	932274	PAPER FILTER	1	
31	932275	O RING	1	
32	932276	DRAIN PLUG	1	
33	-	2 STAGE CNG REGULATOR	1	
34	B009483	CUT OFF SWITCH	1	

PLATE-35

Two Stage CNG Regulator

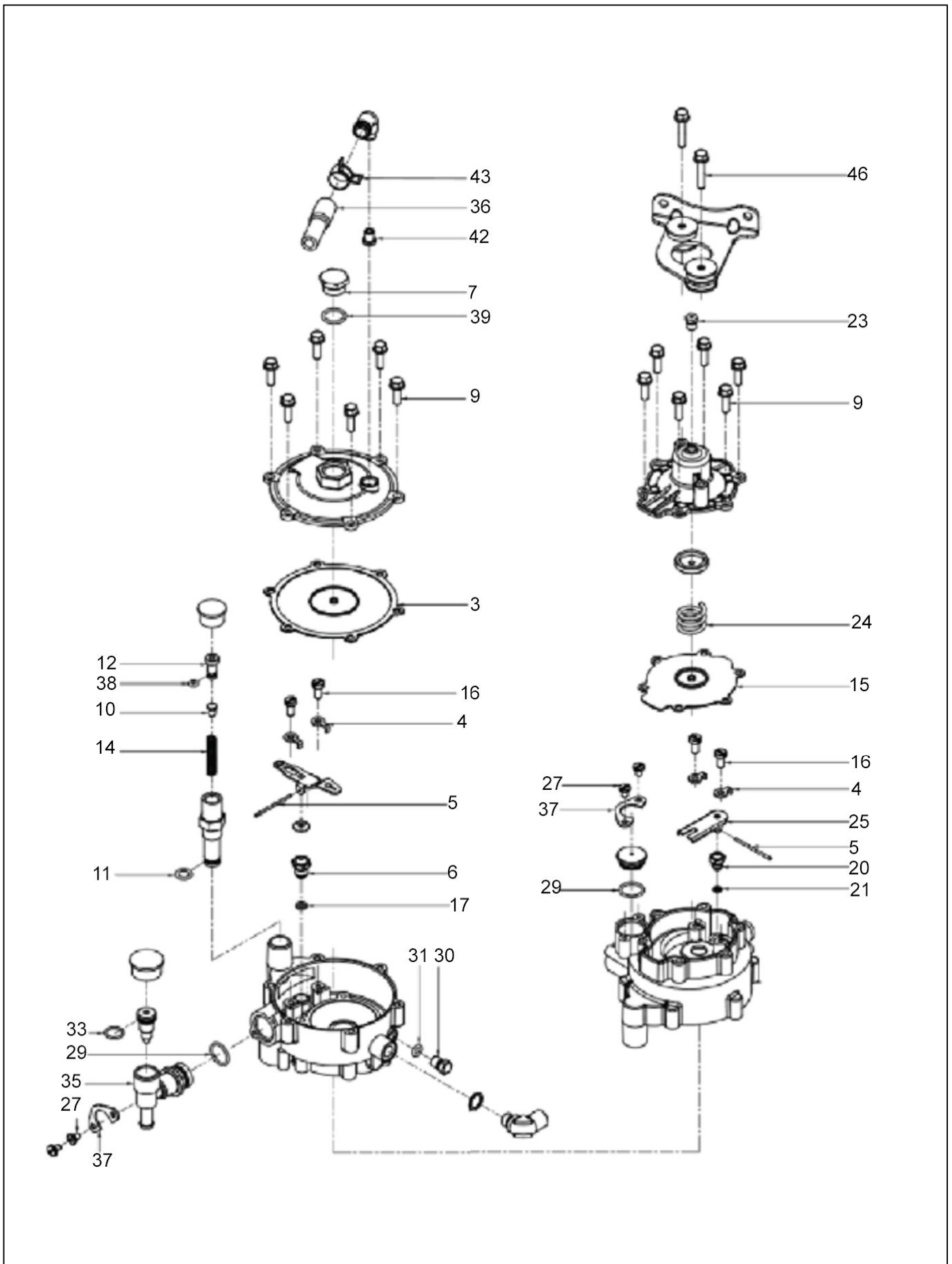


PLATE-35

Two Stage CNG Regulator

Fig. No.	Part No.	Description	Qty	Remarks
2	-	BONNET	1	
3	932207	DIAPHRAGM SUB ASSY.	1	
4	932208	WASHER	4	
5	932210	LEVER PIN	1	
6	932211	SEAT	1	
7	932229	PLUG	1	
9	932232	FLANGE SCREW	12	
10	932212	SPRING GUIDE	1	
11	925781	O RING	1	
12	932226	IDLE SCREW	1	
14	932213	SPRING	1	
15	932215	DIAPHRAGM SUB ASSY.	1	
16	661909	CHEESE HEAD SCREW	4	
17	932214	WASHER	1	
20	932218	SEAT	1	
21	932219	WASHER	1	
23	932230	BREATHER-I	1	
24	932216	SPRING	1	
25	932217	LEVER SUB ASSY.	1	
27	932220	CHEESE HEAD SCREW	1	
29	932221	O RING	1	
30	932222	PLUG	1	
31	932223	O RING	1	
33	932242	ORING	1	
35	932224	FLOW CONTROL BODY	1	
36	932227	BREATHER HOSE	1	
37	932228	CLAMP	2	
38	932240	O RING	1	
39	932231	O RING	1	
43	932254	CLIP	1	
46	932255	FLANGE SCREW	1	
47	CM002901	HOSE CLAMP	1	N.I.

PLATE-36

First Stage Reduction Unit

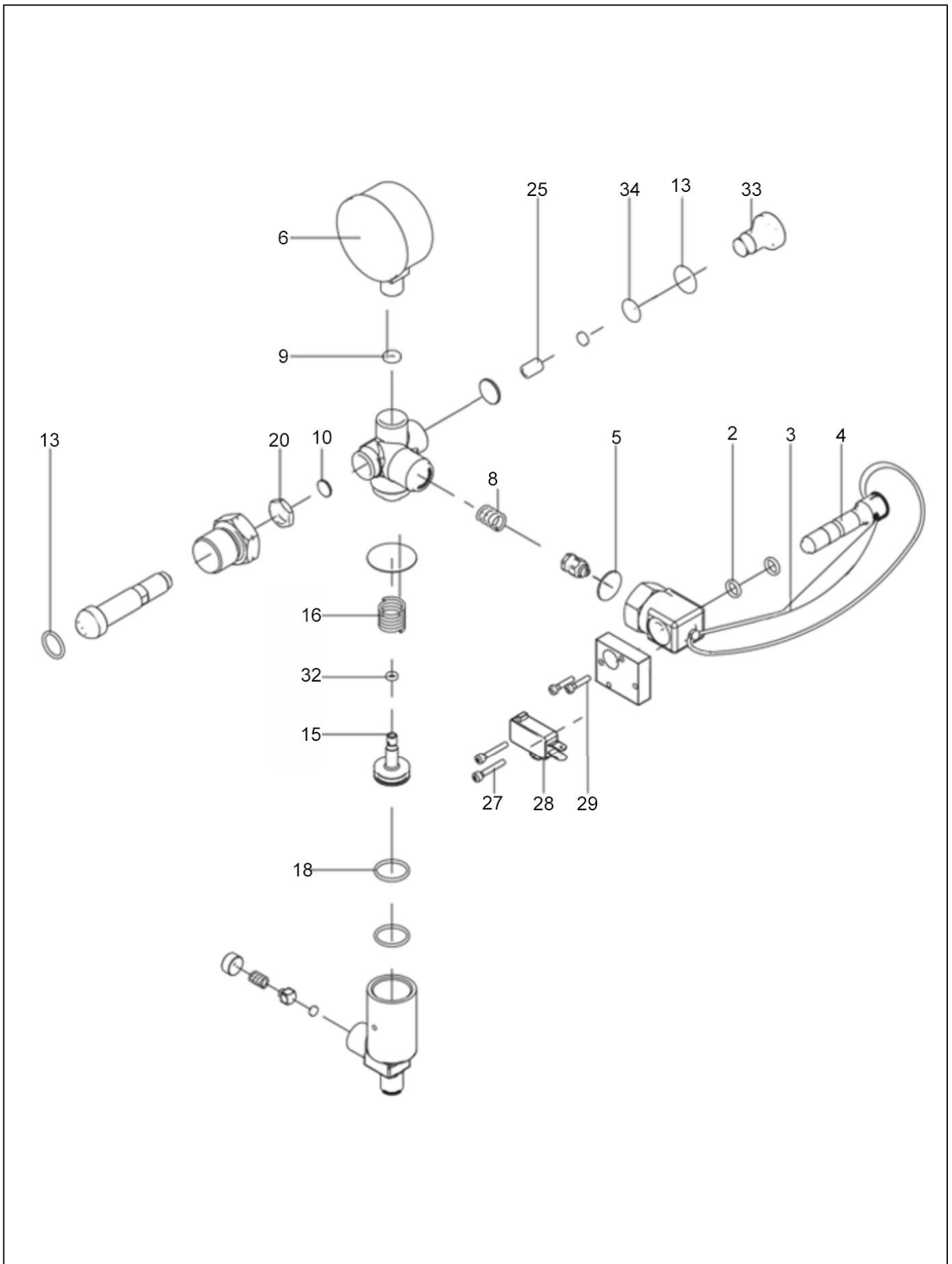


PLATE-36

First Stage Reduction Unit

Fig. No.	Part No.	Description	Qty	Remarks
1	-	REFUELLING ADAPTOR	1	
2	929931	O RING	2	
3	929933	STRING	1	
4	661399	DUST PLUG	1	
5	929934	SEALING WASHER	1	
6	920072	CNG PRESSURE GAUGE WITH SENSOR	1	
7	-	SUB ASSY. SEAT	1	
8	929935	SPRING	1	
9	932233	WASHER	1	
10	929936	WASHER	1	
11	-	COUPLING SCREW(L.H.)	1	
12	-	CONNECTOR	1	
13	932235	O RING	2	
14	-	JUNCTION BLOCK	1	
15	932237	PISTON SUB ASSY.	1	
16	932236	SPRING	1	
17	-	PACKING WASHER	1	
18	932238	O RING	1	
19	-	CYLINDER	1	
20	932239	LOCK NUT	1	
21	-	RELIEF VALVE SPRING	1	
22	-	ADJUSTING SCREW	1	
23	-	PAD HOLDER	1	
24	-	SEALING PAD	1	
25	932243	FILTER	1	
26	-	MOUNTING PLATE	1	
27	929938	PHILIPS HEAD SCREW M3 X 20L	2	
28	929939	MICROSWITCH	1	
29	929940	PHILIPS HEAD SCREW M3 X 15L	2	
30	-	WASHER	1	
31	-	PAD HOLDER	1	
32	932240	O RING	1	
33	932241	RETAINER	1	
34	932242	ORING	1	

PLATE-37
LPG Kit

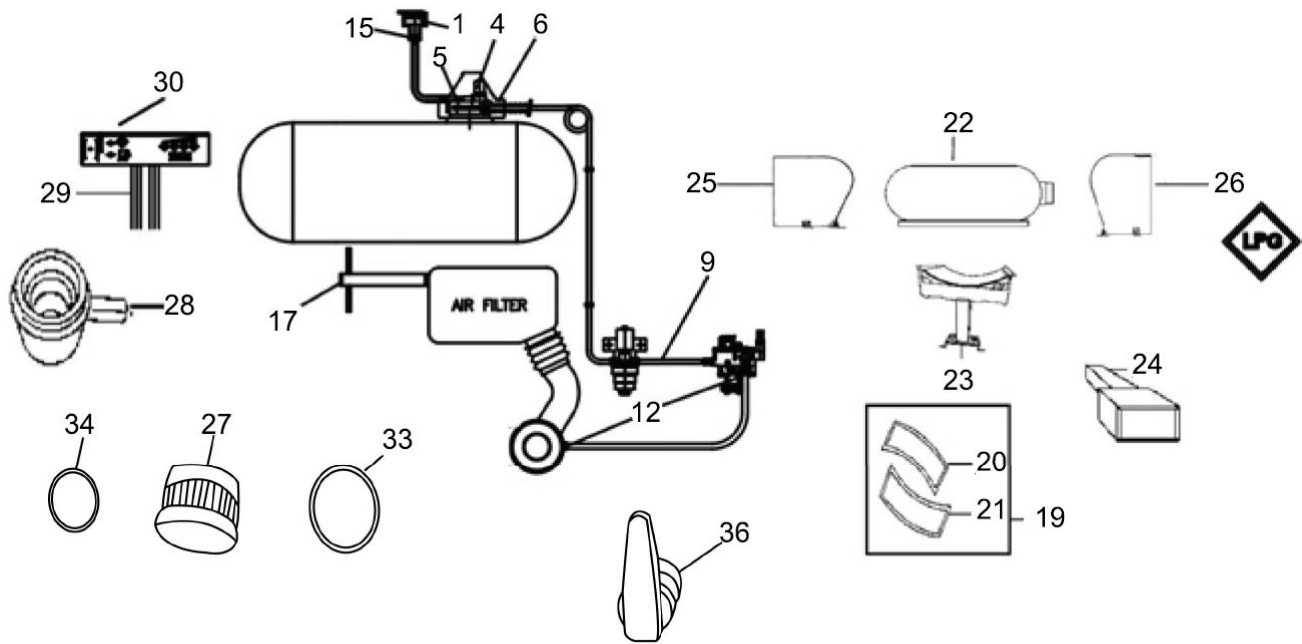


PLATE-37

LPG Kit

Fig. No.	Part No.	Description	Qty	Remarks
1	925743	FILLER CONNECTOR WITH CAP	1	
2	-	COPPER TUBE ASSY FOR REFUELLING	1	
3	-	VENT HOSE ASSEMBLY-1	1	
4	643866	MULTI FUNCTION VALVE	1	
5	643884	ALLEN SCREW	6	
6	643883	SEAL BOX	1	
7	-	COPPER TUBE ASSY- MFV TO FILTER	1	
8	-	FILTER SOLENOID VALVE WITH BRACKET	1	
9	661735	COPPER TUBE ASSY- FILTER TO LPR	1	
10	-	ASSEMBLY LPG REGULATOR	1	
11	-	HOSE REGULATOR TO MIXER	1	
12	661910	CLIP	1	
13	925722	CLAMP FOR COPPER TUBE	2	
14	-	STICKER	3	
15	929925	HOUSING ASSEMBLY FOR FILLER CONNECTOR	2	
16	-	VENT HOSE ASSEMBLY-2	1	
17	932247	RESTRICTOR -1 FOE CNG/LPG	1	
18	932271	RESTRICTOR - 2 FOR LPG	1	
19	632183	RUBBER STRAP	2	
20	632184	RUBBER STRAP UPPER	2	
21	632185	LOWER STRAPS ASSY.	2	
22	632186	LPG CYLINDER	1	
23	643927	ASSY CENTRAL BRACKET	2	
24	925786	ECU - FUSE (2A) (N.I)	1	
25	B024692	GAS CYLINDER COVER LH ASSY	1	
26	B024694	GAS CYLINDER COVER RH ASSY	1	
27	925737	FILTER ELEMENT	AR	
28	932266	MIXER ASSEMBLY	1	
29	932267	WIRE HARNESS	1	
30	932268	ECU	1	
31	932272	HOSE REGULATOR TO MIXER	1	
32	-	2 STAGE LPG REGULATOR	1	
33	929948	O RING	1	
34	929949	O RING	1	
35	920012	SOLENOID SWITCH (MFV)	1	
36	B009483	CUT OFF SWITCH	1	
37	CM002901	HOSE CLAMP	1	N.I.

PLATE-38

Two Stage LPG Regulator

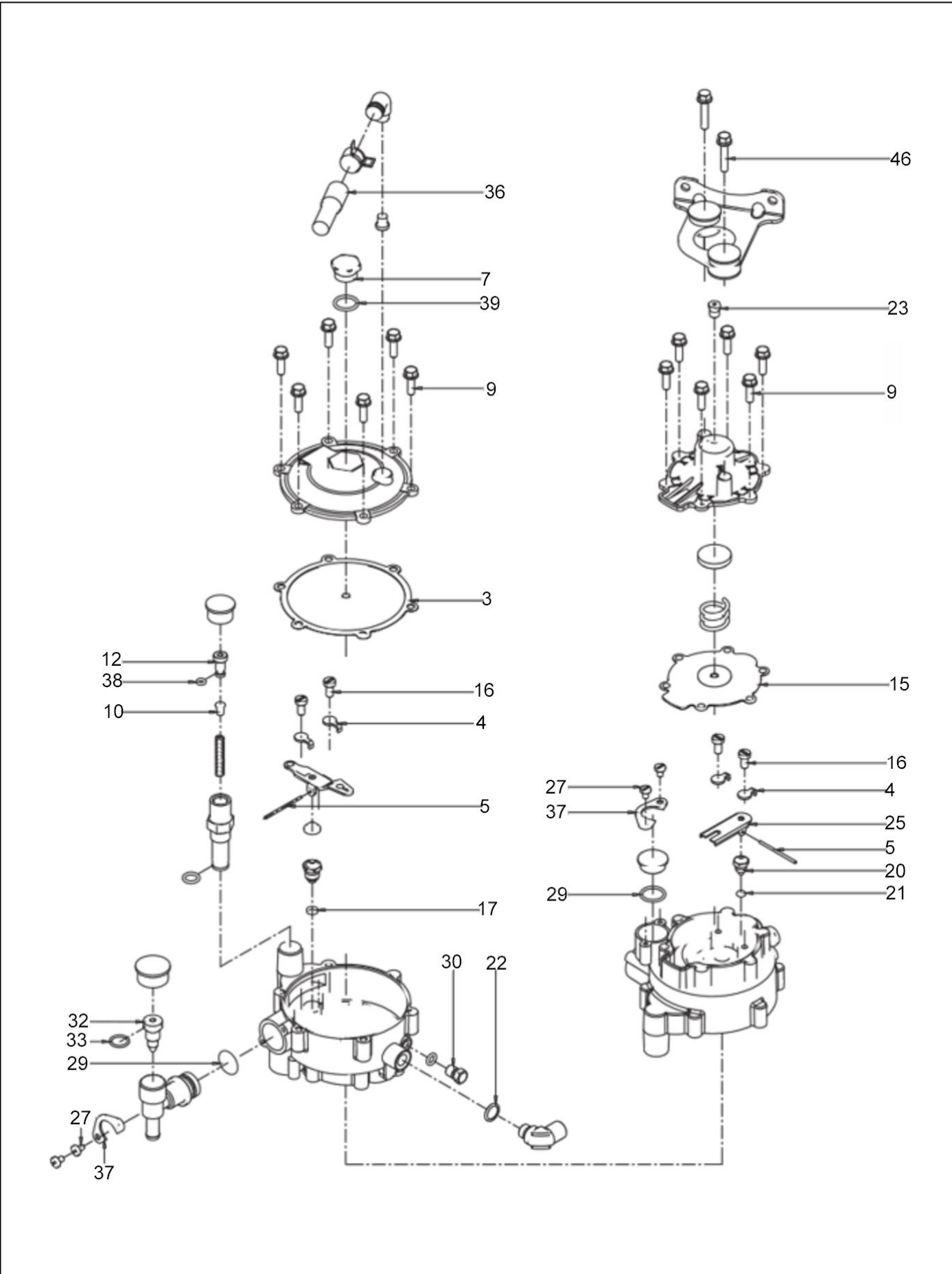


PLATE-38

Two Stage LPG Regulator

Fig. No.	Part No.	Description	Qty	Remarks
1	-	BODY	1	
2	-	BONNET	1	
3	932207	DIAPHRAGM SUB ASSY.	1	
4	932208	WASHER	4	
5	932210	LEVER PIN	1	
6	932263	SEAT	1	
7	932229	PLUG	1	
8	-	LEVER	AR	
9	932232	FLANGE SCREW	12	
10	932212	SPRING GUIDE	1	
11	-	O RING	1	
12	932226	IDLE SCREW	1	
13	-	BODY IDELING SCREW	1	
14	-	SPRING	1	
15	932215	DIAPHRAGM SUB ASSY.	1	
16	661909	CHEESE HEAD SCREW	4	
17	932214	WASHER	1	
18	-	BONNET	1	
19	-	SPRING ADJUSTING SCREW	1	
20	932218	SEAT	1	
21	932219	WASHER	1	
22	-	WASHER	1	
23	932230	BREATH- I	1	
24	-	SPRING	1	
25	932217	LEVER SUB ASSY.	1	
26	-	INLET CONNECTOR	1	
27	932220	CHEESE HEAD SCREW	1	
28	-	PLUG	1	
29	932221	O RING	1	
30	932222	PLUG	1	
31	-	O RING	1	
32	932225	FLOW ADJUSTING SCREW	1	
33	932242	ORING	1	
34	-	BREATH- II	1	
35	-	FLOW CONTROL BODY	1	
36	932227	BREATH- HOSE	1	
37	932228	CLAMP	2	
38	932240	O RING	1	
39	932231	O RING	1	
40	-	CAP (IDLE SCREW)	1	
41	-	CAP (POWER SCREW)	1	
42	-	BREATH- RESTRICTOR	1	

PLATE-38

Two Stage LPG Regulator

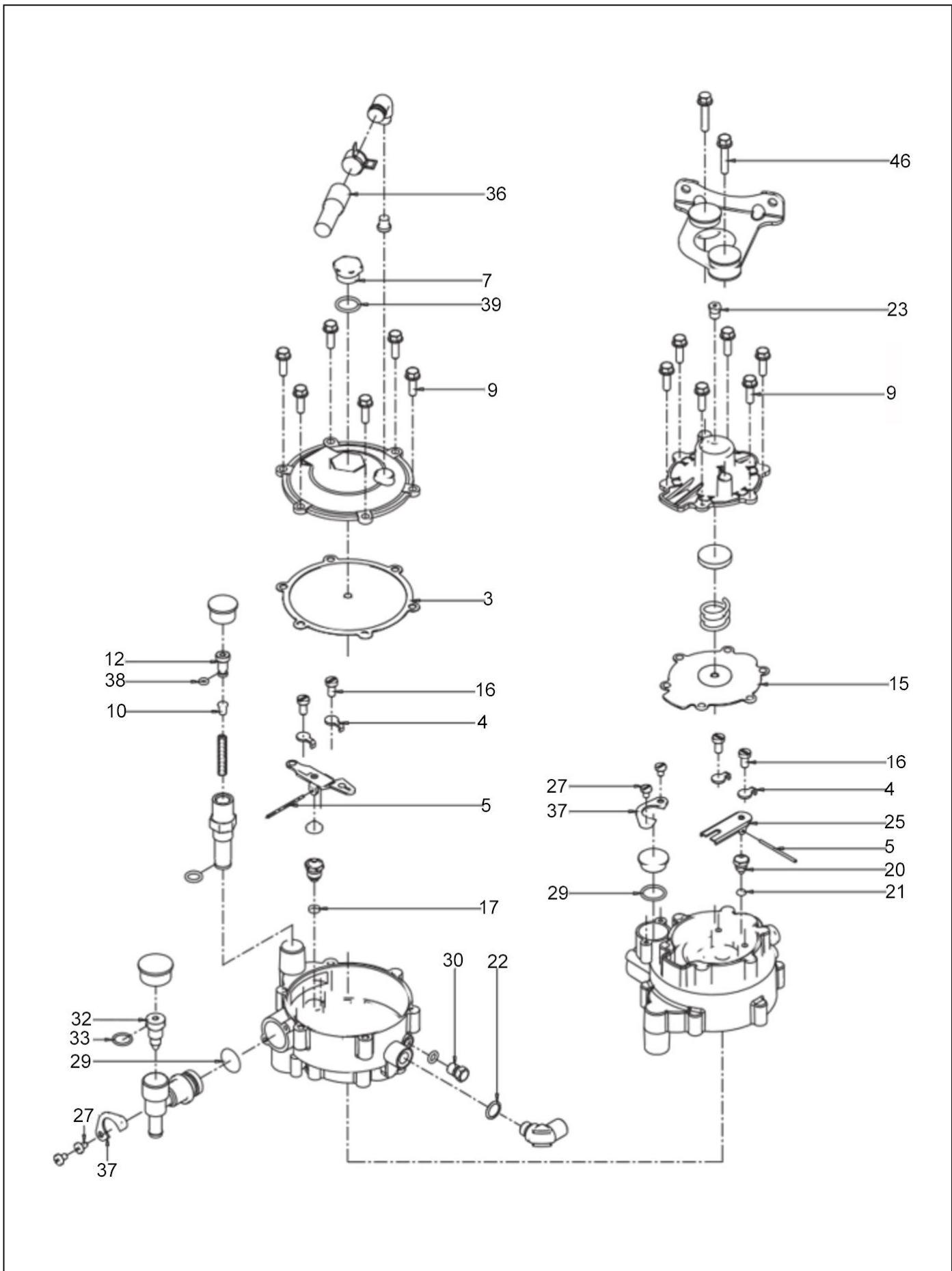


PLATE-38**Two Stage LPG Regulator**

Fig. No.	Part No.	Description	Qty	Remarks
43	932270	CLIP	1	
44	-	PAD	1	
45	-	BRACKET SUB ASSY.	1	
46	932255	FLANGE SCREW	1	

PARTS INDEX

ape city 200

PART NO	BLOCK	PART NO	BLOCK	PART NO	BLOCK
016195	Plate-10	120212012	Plate-9	136916	Plate-26
018639	Plate-10	120302013	Plate-9	137235	Plate-24
107038	Plate-26	120302013	Plate-6	138237	Plate-26
107718	Plate-24	12136	Plate-27	13861	Plate-21
107732	Plate-24	12138	Plate-25	13861	Plate-29
107827	Plate-23	122032014	Plate-16	13880	Plate-19
107871	Plate-24	124102019	Plate-17	13880	Plate-19
108785	Plate-26	124449	Plate-28	13880	Plate-21
108788	Plate-26	125181	Plate-25	13880	Plate-21
108834	Plate-18	125289	Plate-24	13880	Plate-29
108873	Plate-24	12536	Plate-31	13880	Plate-29
108874	Plate-24	12536	Plate-32	141925	Plate-25
109011	Plate-20	12540	Plate-29	150041R	Plate-27
109012	Plate-20	125411	Plate-26	150417	Plate-33
109064	Plate-24	12546	Plate-27	150418	Plate-33
109064	Plate-24	126902	Plate-25	150579	Plate-24
109066	Plate-24	127012019	Plate-2	150915R	Plate-27
109117	Plate-24	127013013	Plate-2	15235	Plate-18
109227	Plate-25	127111011	Plate-17	15335	Plate-18
109249	Plate-19	127176	Plate-28	15478	Plate-18
109397	Plate-25	127177	Plate-28	15578	Plate-17
109404	Plate-25	127179	Plate-28	15594	Plate-23
109635	Plate-25	127185012	Plate-2	15618	Plate-25
109775	Plate-25	127306018	Plate-16	15640	Plate-27
109892	Plate-23	127460010	Plate-2	15641	Plate-28
111353	Plate-6	127530011	Plate-3	157103	Plate-23
111356	Plate-17	127640012	Plate-9	157103	Plate-23
111498	Plate-17	127691011	Plate-3	15727	Plate-27
11286R	Plate-17	127692015	Plate-3	15727	Plate-28
112898	Plate-6	127693019	Plate-3	15733	Plate-19
113278	Plate-17	127754019	Plate-3	158495	Plate-33
114121	Plate-28	127757011	Plate-3	15900	Plate-28
116831	Plate-29	127758015	Plate-3	15911	Plate-29
117401	Plate-9	12790	Plate-23	15996	Plate-17
117402	Plate-9	127927	Plate-24	15996	Plate-27
117404	Plate-9	128307019	Plate-17	16319	Plate-25
118806	Plate-25	128486	Plate-23	16405	Plate-20
119278	Plate-25	128633	Plate-23	16405	Plate-27
119278	Plate-26	132129	Plate-5	16405	Plate-27
119735	Plate-28	132134	Plate-5	16405	Plate-28
119975	Plate-28	132136R	Plate-5	16405	Plate-29
120164019	Plate-2	132244	Plate-5	16405	Plate-29
120170018	Plate-2	136451	Plate-23	16405	Plate-31

PART NO	BLOCK	PART NO	BLOCK	PART NO	BLOCK
16406	Plate-10	16410	Plate-25	20105	Plate-20
16406	Plate-17	165121014	Plate-9	20105	Plate-27
16406	Plate-18	165155R	Plate-5	20105	Plate-27
16406	Plate-19	16620	Plate-25	20105	Plate-27
16406	Plate-19	16626	Plate-25	20105	Plate-28
16406	Plate-21	16670	Plate-20	20105	Plate-29
16406	Plate-25	16670	Plate-29	20105	Plate-29
16406	Plate-26	16670	Plate-29	20106	Plate-21
16406	Plate-27	17702	Plate-6	20106	Plate-21
16406	Plate-27	177559	Plate-23	20106	Plate-26
16406	Plate-27	177559	Plate-28	20106	Plate-27
16406	Plate-29	177949	Plate-26	20106	Plate-27
16406	Plate-29	178610	Plate-18	20106	Plate-29
16406	Plate-30	180431	Plate-24	20106	Plate-33
16408	Plate-10	181746	Plate-27	20108	Plate-18
16408	Plate-18	181747	Plate-27	20108	Plate-18
16408	Plate-18	183511	Plate-17	20108	Plate-18
16408	Plate-18	185843	Plate-28	20108	Plate-20
16408	Plate-18	18630	Plate-20	20108	Plate-21
16408	Plate-20	18639	Plate-15	20108	Plate-21
16408	Plate-21	18639	Plate-7	20108	Plate-21
16408	Plate-21	190462	Plate-20	20108	Plate-26
16408	Plate-21	196302	Plate-23	20108	Plate-26
16408	Plate-23	196302	Plate-24	20108	Plate-29
16408	Plate-26	197071	Plate-33	20108	Plate-29
16408	Plate-26	198618	Plate-17	20108	Plate-29
16408	Plate-27	1A000024	Plate-12	20108	Plate-29
16408	Plate-29	1A000236	Plate-17	20108	Plate-29
16408	Plate-29	1A000242	Plate-16	20108	Plate-31
16408	Plate-29	1A000542	Plate-8	20108	Plate-34
16408	Plate-29	1A000831	Plate-12	20110	Plate-18
16408	Plate-29	1A001108R	Plate-11	20110	Plate-23
16408	Plate-29	1A001114R	Plate-13	20110	Plate-23
16408	Plate-29	1A001283	Plate-9	20110	Plate-23
16408	Plate-34	1D000425R	Plate-15	20110	Plate-24
16410	Plate-17	1U000020	Plate-10	20206	Plate-29
16410	Plate-18	1U000021	Plate-10	20359	Plate-23
16410	Plate-18	1U000022	Plate-3	21110	Plate-24
16410	Plate-23	1U000023	Plate-14	21110	Plate-25
16410	Plate-23	1U000024	Plate-14	21118	Plate-23
16410	Plate-23	1U000025	Plate-14	21216	Plate-26
16410	Plate-24	20104	Plate-20	217280	Plate-19
16410	Plate-24	20104	Plate-21	219528	Plate-28

PART NO	BLOCK	PART NO	BLOCK	PART NO	BLOCK
220575	Plate-5	3055	Plate-29	31118	Plate-29
226596	Plate-23	3056	Plate-10	31118	Plate-34
226661	Plate-23	3056	Plate-27	31119	Plate-18
226662	Plate-23	3056	Plate-27	31119	Plate-21
229524	Plate-26	3056	Plate-29	31122	Plate-26
231370	Plate-17	3056	Plate-30	31154	Plate-18
231370	Plate-18	3058	Plate-21	411311	Plate-9
231370	Plate-23	3058	Plate-21	414837	Plate-9
231370	Plate-23	3058	Plate-26	414837	Plate-12
231370	Plate-23	3058	Plate-27	414837	Plate-13
237246	Plate-23	3058	Plate-29	432142	Plate-9
2383	Plate-18	3058	Plate-29	433122	Plate-10
2383	Plate-18	3058	Plate-29	434716	Plate-10
2383	Plate-21	3058	Plate-29	435571	Plate-14
243303	Plate-23	3058	Plate-29	436739	Plate-4
265091	Plate-18	3058	Plate-34	436947	Plate-10
267065	Plate-23	3068	Plate-23	479986	Plate-2
267068	Plate-23	31054	Plate-25	48197	Plate-26
269755	Plate-10	31056	Plate-27	484034	Plate-9
272178	Plate-18	31057	Plate-27	485655	Plate-9
277916	Plate-9	31057	Plate-29	485703	Plate-10
286328	Plate-18	31058	Plate-27	485868	Plate-13
286328	Plate-18	31058	Plate-27	523012017	Plate-16
286328	Plate-18	31058	Plate-29	523021018	Plate-16
286328	Plate-23	31088	Plate-19	566545	Plate-24
288730	Plate-5	31088	Plate-19	567454	Plate-18
30072	Plate-29	31088	Plate-19	567456	Plate-18
30072	Plate-29	31088	Plate-21	567458	Plate-18
30074	Plate-10	31088	Plate-27	567461	Plate-26
30074	Plate-29	31088	Plate-27	567473	Plate-24
30103	Plate-25	31088	Plate-27	567498R	Plate-17
30104	Plate-25	31088	Plate-29	567498R	Plate-27
30209R	Plate-24	31088	Plate-30	567515	Plate-21
30242	Plate-20	31089	Plate-10	567567	Plate-25
3054	Plate-17	31089	Plate-21	567573R	Plate-28
3054	Plate-20	31089	Plate-25	567582	Plate-27
3054	Plate-21	31092	Plate-17	567593	Plate-28
3054	Plate-22	31116	Plate-27	567690	Plate-26
3054	Plate-27	31116	Plate-29	567706	Plate-27
3055	Plate-25	31116	Plate-29	567746	Plate-26
3055	Plate-27	31116	Plate-29	567747	Plate-27
3055	Plate-27	31118	Plate-21	567878R	Plate-27
3055	Plate-28	31118	Plate-29	567893	Plate-22

PART NO	BLOCK	PART NO	BLOCK	PART NO	BLOCK
567897	Plate-26	587928	Plate-26	6173	Plate-26
567898	Plate-26	587963	Plate-20	632134	Plate-34
567899	Plate-26	587974R	Plate-28	632158	Plate-25
567920	Plate-26	5969	Plate-26	632183	Plate-37
567920	Plate-26	604502	Plate-26	632184	Plate-37
567990	Plate-24	604506	Plate-27	632185	Plate-37
567991	Plate-24	604535	Plate-23	632185	Plate-34
567992	Plate-24	604543	Plate-25	632186	Plate-37
567993	Plate-24	604548	Plate-22	632191	Plate-6
568095	Plate-24	604553	Plate-7	632247	Plate-18
568096	Plate-29	604557	Plate-27	632284	Plate-27
568103	Plate-27	604560	Plate-33	632285	Plate-27
568140	Plate-18	604591	Plate-19	632288	Plate-20
568161	Plate-26	604591	Plate-19	632292	Plate-27
568162	Plate-26	604615	Plate-26	632477R	Plate-28
568671	Plate-22	604667	Plate-27	632478R	Plate-28
568689	Plate-18	604717	Plate-26	632479	Plate-27
568692	Plate-20	604756	Plate-19	632508	Plate-21
568692	Plate-27	604756	Plate-7	632995	Plate-27
568703	Plate-21	604758	Plate-24	63440	Plate-31
568717	Plate-29	604759	Plate-24	63440	Plate-32
568721	Plate-27	604760	Plate-26	6411	Plate-26
568737	Plate-26	604863	Plate-34	641541	Plate-9
569150	Plate-24	604877	Plate-26	642537	Plate-9
569165	Plate-27	604880	Plate-26	643140	Plate-11
569166	Plate-27	604908	Plate-19	643367	Plate-10
569177	Plate-27	604909	Plate-19	643616	Plate-27
569178	Plate-27	604910	Plate-19	643655R	Plate-34
569197	Plate-27	604948	Plate-18	643661	Plate-29
569241	Plate-18	604954	Plate-21	643691	Plate-22
569244	Plate-18	604954	Plate-21	643692	Plate-26
569375	Plate-18	604958	Plate-34	643741	Plate-23
58295R	Plate-11	604984	Plate-22	643772R	Plate-24
58296R	Plate-15	605389	Plate-22	643850	Plate-34
587617	Plate-23	60565	Plate-25	643866	Plate-37
587633	Plate-33	6066	Plate-23	643883	Plate-37
587670R	Plate-28	6066	Plate-24	643884	Plate-37
587671R	Plate-28	6078	Plate-27	643927	Plate-37
587812	Plate-33	6078	Plate-27	644812	Plate-26
587822	Plate-33	612455	Plate-26	644813	Plate-26
587829	Plate-26	615101	Plate-21	644814	Plate-26
587902	Plate-25	616649	Plate-21	644824	Plate-19
587904	Plate-25	616738R	Plate-19	645041	Plate-27

PART NO	BLOCK	PART NO	BLOCK	PART NO	BLOCK
6450	Plate-17	71633	Plate-27	920072	Plate-36
645124	Plate-33	71633	Plate-28	920072	Plate-34
645141	Plate-21	74414	Plate-24	925508	Plate-26
645153	Plate-28	74521	Plate-24	925509	Plate-26
652105	Plate-19	75708	Plate-24	925574	Plate-32
652253	Plate-27	78307	Plate-21	925577	Plate-28
658810	Plate-28	808000826	Plate-20	925578	Plate-28
659870	Plate-34	8080	Plate-22	925579	Plate-28
660109	Plate-27	8080	Plate-28	925580	Plate-28
660168	Plate-21	819064530	Plate-9	925581	Plate-28
660168	Plate-22	822031942	Plate-2	925588	Plate-28
660168	Plate-29	822051647	Plate-6	925598	Plate-28
660322	Plate-22	82635R	Plate-9	925722	Plate-37
660820	Plate-30	82650R	Plate-14	925737	Plate-37
660826R	Plate-28	82948R	Plate-4	925743	Plate-37
661230	Plate-24	829593	Plate-4	925781	Plate-35
661231	Plate-24	829661	Plate-9	925786	Plate-37
661266	Plate-23	830061	Plate-4	925786	Plate-27
661267	Plate-23	83040R	Plate-13	925786	Plate-34
661399	Plate-36	83041R	Plate-13	925888	Plate-27
661492	Plate-30	83053R	Plate-10	929910	Plate-27
661570P	Plate-23	83054R	Plate-10	929925	Plate-37
661571P	Plate-23	83062R	Plate-13	929931	Plate-36
661735	Plate-37	83065R	Plate-9	929933	Plate-36
661909	Plate-35	841005506	Plate-6	929934	Plate-36
661909	Plate-38	842001600	Plate-2	929935	Plate-36
661910	Plate-37	842003000	Plate-17	929936	Plate-36
661925	Plate-28	842004808	Plate-16	929938	Plate-36
662422	Plate-24	843000500	Plate-6	929939	Plate-36
662423	Plate-24	843000809	Plate-2	929940	Plate-36
6650	Plate-23	8432	Plate-28	929948	Plate-37
6733	Plate-24	8451	Plate-27	929949	Plate-37
675378	Plate-18	8451	Plate-29	932207	Plate-38
680075	Plate-11	8455	Plate-28	932207	Plate-35
680164	Plate-11	847928	Plate-14	932208	Plate-38
680165	Plate-11	87067	Plate-24	932208	Plate-35
680166	Plate-27	8771	Plate-24	932210	Plate-38
680181	Plate-9	880255211R	Plate-9	932210	Plate-35
6965	Plate-27	880305509R	Plate-6	932211	Plate-35
6965	Plate-27	884222808	Plate-9	932212	Plate-38
7066	Plate-6	889505	Plate-14	932212	Plate-35
71633	Plate-27	90511	Plate-25	932213	Plate-35
71633	Plate-27	920012	Plate-37	932214	Plate-35

PART NO	BLOCK	PART NO	BLOCK	PART NO	BLOCK
932214	Plate-38	932242	Plate-36	B001402	Plate-29
932215	Plate-35	932242	Plate-38	B001423	Plate-29
932215	Plate-38	932242	Plate-35	B001430	Plate-19
932216	Plate-35	932243	Plate-36	B001431	Plate-29
932217	Plate-35	932244	Plate-34	B001432	Plate-29
932217	Plate-38	932245	Plate-34	B001433	Plate-29
932218	Plate-35	932246	Plate-34	B001434	Plate-29
932218	Plate-38	932247	Plate-37	B001445	Plate-29
932219	Plate-35	932247	Plate-34	B001480	Plate-29
932219	Plate-38	932248	Plate-34	B001481R	Plate-22
932220	Plate-35	932250	Plate-34	B001493	Plate-21
932220	Plate-38	932252	Plate-34	B001494	Plate-18
932221	Plate-35	932253	Plate-34	B001581	Plate-26
932221	Plate-38	932254	Plate-35	B001636	Plate-29
932222	Plate-35	932254	Plate-34	B001788	Plate-29
932222	Plate-38	932255	Plate-35	B001789	Plate-29
932223	Plate-35	932255	Plate-38	B001887	Plate-29
932224	Plate-35	932263	Plate-38	B001918	Plate-29
932225	Plate-38	932266	Plate-37	B001948R	Plate-29
932226	Plate-35	932267	Plate-37	B001949R	Plate-29
932226	Plate-38	932268	Plate-37	B002183	Plate-30
932227	Plate-35	932270	Plate-38	B002183	Plate-30
932227	Plate-38	932271	Plate-37	B002208	Plate-29
932228	Plate-35	932272	Plate-37	B002209R	Plate-22
932228	Plate-38	932273	Plate-34	B002210	Plate-29
932229	Plate-38	932274	Plate-34	B002261	Plate-29
932229	Plate-35	932275	Plate-34	B002278	Plate-19
932230	Plate-35	932276	Plate-34	B002303	Plate-29
932230	Plate-38	932277	Plate-34	B002305	Plate-29
932231	Plate-35	932279	Plate-7	B002307	Plate-29
932231	Plate-38	932282	Plate-15	B002309	Plate-29
932232	Plate-38	963486	Plate-14	B002334	Plate-29
932232	Plate-35	97756	Plate-21	B002338	Plate-33
932233	Plate-36	AP9150472	Plate-9	B002344	Plate-23
932235	Plate-36	B001225	Plate-32	B002354	Plate-23
932236	Plate-36	B001228	Plate-32	B002412	Plate-21
932237	Plate-36	B001273	Plate-21	B002470	Plate-23
932238	Plate-36	B001294	Plate-21	B002486	Plate-23
932239	Plate-36	B001302	Plate-24	B002625	Plate-19
932240	Plate-35	B001316	Plate-23	B002626	Plate-19
932240	Plate-36	B001317	Plate-23	B002628	Plate-19
932240	Plate-38	B001323	Plate-24	B002630	Plate-19
932241	Plate-36	B001386	Plate-20	B003002	Plate-31

PART NO	BLOCK	PART NO	BLOCK	PART NO	BLOCK
B003002	Plate-32	B003897	Plate-29	B014997	Plate-13
B003003	Plate-31	B003929	Plate-19	B015017	Plate-13
B003003	Plate-32	B003942	Plate-19	B015019	Plate-13
B003004	Plate-32	B003978	Plate-21	B015043	Plate-13
B003008	Plate-31	B006332	Plate-29	B015288	Plate-10
B003011	Plate-32	B006509	Plate-31	B015483	Plate-13
B003012	Plate-32	B006509	Plate-32	B015591	Plate-9
B003014	Plate-32	B006510	Plate-32	B015592	Plate-9
B003030	Plate-29	B006593	Plate-29	B015598	Plate-9
B003076	Plate-29	B006598	Plate-29	B015816	Plate-17
B003110	Plate-30	B006599	Plate-29	B015817	Plate-17
B003114	Plate-19	B006600	Plate-29	B015818	Plate-5
B003115	Plate-19	B006688	Plate-18	B015862	Plate-3
B003155	Plate-5	B006792	Plate-29	B015863	Plate-2
B003163	Plate-5	B006851	Plate-25	B015872	Plate-9
B003228	Plate-26	B006852	Plate-25	B015873	Plate-9
B003261	Plate-21	B006853	Plate-25	B015875	Plate-17
B003282	Plate-19	B006892	Plate-29	B015875	Plate-6
B003286	Plate-18	B006949	Plate-29	B015888	Plate-15
B003295	Plate-31	B008116	Plate-24	B015928	Plate-15
B003296	Plate-31	B008117	Plate-24	B015931	Plate-12
B003299	Plate-32	B008177	Plate-24	B015941	Plate-9
B003300	Plate-32	B008893	Plate-18	B015942	Plate-15
B003324	Plate-31	B008898	Plate-18	B015943	Plate-4
B003325	Plate-31	B008921	Plate-18	B016016	Plate-7
B003326	Plate-31	B008924	Plate-7	B016033	Plate-3
B003327	Plate-31	B009429	Plate-20	B016103	Plate-3
B003327	Plate-32	B009483	Plate-37	B016120	Plate-15
B003328	Plate-32	B009483	Plate-34	B016144	Plate-11
B003330	Plate-32	B009582	Plate-19	B016147	Plate-15
B003331	Plate-32	B009603	Plate-23	B016148	Plate-15
B003358	Plate-29	B009605	Plate-23	B016160	Plate-3
B003415	Plate-21	B014234	Plate-13	B016166	Plate-9
B003422	Plate-29	B014555	Plate-14	B016170	Plate-17
B003502	Plate-29	B014680	Plate-10	B016192	Plate-12
B003605	Plate-7	B014681	Plate-10	B016205	Plate-16
B003649	Plate-29	B014684	Plate-10	B016206	Plate-16
B003652	Plate-29	B014705	Plate-10	B016368	Plate-10
B003654	Plate-29	B014706	Plate-10	B016472	Plate-2
B003657	Plate-29	B014732	Plate-10	B016604	Plate-14
B003658	Plate-29	B014755	Plate-9	B016620	Plate-12
B003727	Plate-27	B014760	Plate-13	B016621	Plate-17
B003855	Plate-18	B014996	Plate-13	B016621	Plate-6

PART NO	BLOCK	PART NO	BLOCK	PART NO	BLOCK
B016822	Plate-8	B018547	Plate-33	B024270	Plate-30
B016823	Plate-8	B018549	Plate-2	B024271	Plate-30
B016825	Plate-8	B018598	Plate-9	B024313	Plate-29
B016826	Plate-8	B018673	Plate-6	B024316	Plate-29
B016828	Plate-8	B018678	Plate-3	B024318	Plate-29
B016829	Plate-8	B018718	Plate-13	B024345	Plate-29
B016834	Plate-8	B018775	Plate-7	B024345	Plate-29
B016856	Plate-9	B018848	Plate-9	B024364BY	Plate-29
B016869	Plate-8	B018853	Plate-2	B024364GY	Plate-29
B017055	Plate-15	B018853	Plate-15	B024371	Plate-24
B017113	Plate-13	B018854	Plate-14	B024375	Plate-24
B017133	Plate-17	B018890	Plate-17	B024402	Plate-29
B017134	Plate-17	B018891	Plate-17	B024403	Plate-29
B017135	Plate-5	B018946	Plate-13	B024452	Plate-21
B017177	Plate-16	B018947	Plate-2	B024477	Plate-25
B017178	Plate-9	B019214	Plate-6	B024477	Plate-27
B017189	Plate-15	B019220	Plate-2	B024496	Plate-21
B017225	Plate-12	B019246	Plate-9	B024512	Plate-29
B017230	Plate-10	B019285	Plate-10	B024516	Plate-21
B017323	Plate-13	B019317	Plate-14	B024516	Plate-29
B017336	Plate-10	B019342	Plate-8	B024520	Plate-21
B017377	Plate-12	B019343	Plate-8	B024521	Plate-21
B017431	Plate-13	B019344	Plate-8	B024532	Plate-28
B017438	Plate-10	B019350	Plate-10	B024542	Plate-21
B017443	Plate-7	B023718	Plate-18	B024554	Plate-30
B017456	Plate-10	B023890	Plate-3	B024555	Plate-30
B017480	Plate-7	B023909	Plate-33	B024577	Plate-25
B017492	Plate-6	B023912	Plate-33	B024579	Plate-25
B017493	Plate-6	B023915	Plate-33	B024580	Plate-25
B017541	Plate-8	B023916	Plate-33	B024581	Plate-25
B017746	Plate-13	B023918	Plate-33	B024585	Plate-25
B017921	Plate-10	B023919	Plate-33	B024587	Plate-25
B018023	Plate-12	B023940	Plate-17	B024601R	Plate-34
B018025	Plate-12	B023968	Plate-30	B024637BY	Plate-21
B018072	Plate-7	B023986	Plate-30	B024637GY	Plate-21
B018309	Plate-10	B024018	Plate-24	B024642	Plate-27
B018401	Plate-4	B024056	Plate-11	B024642	Plate-28
B018442	Plate-7	B024071	Plate-31	B024643	Plate-27
B018471	Plate-16	B024129	Plate-34	B024643	Plate-28
B018472	Plate-16	B024131	Plate-34	B024645	Plate-20
B018473	Plate-16	B024169	Plate-22	B024683	Plate-22
B018533	Plate-10	B024170	Plate-19	B024692	Plate-37
B018546	Plate-33	B024187	Plate-27	B024692	Plate-34

